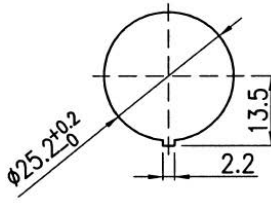
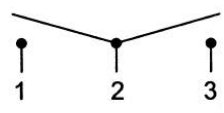
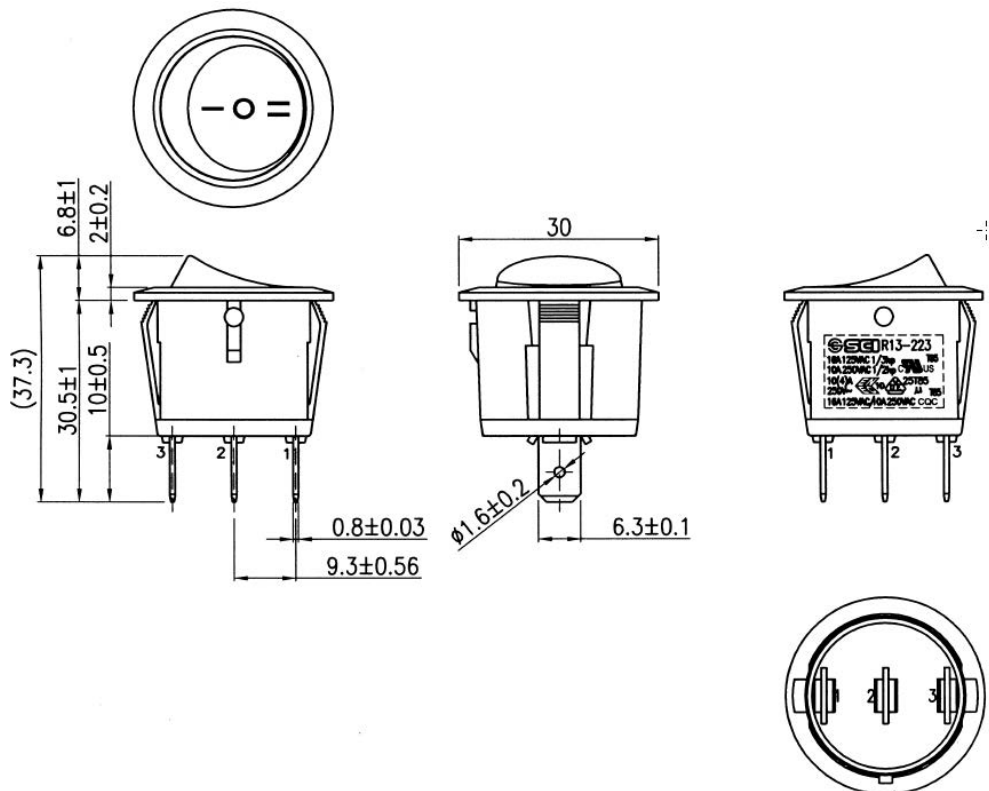


Rocker Switch

Rating	16A 125V AC 1/3HP 10A 250V AC 1/2HP 16A 125V AC/10A 250V AC CQC/T85 10(4)A 250V~	 <p>Thickness=1.0...4.0</p>	
Contact Resistance	50m ohm Max.		
Insulation Resistance	DC 500V 100M ohm Min.		
Dielectric Strength	AC 1500V 1 minute		
Operation Temperature	-25°C~85°C		
Switch Function	3P SPDT ON-OFF-ON		



Tolerances ±0.3 Unless Otherwise Specified Unit: mm

This is a publication by Conrad Electronic SE, Klaus-Conrad-Str. 1, D-92240 Hirschau (www.conrad.com).

All rights including translation reserved. Reproduction by any method, e.g. photocopy, microfilming, or the capture in electronic data processing systems require the prior written approval by the editor. Reprinting, also in part, is prohibited. This publication represents the technical status at the time of printing.

© Copyright 2017 by Conrad Electronic SE.