
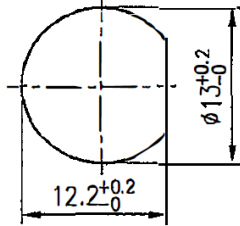
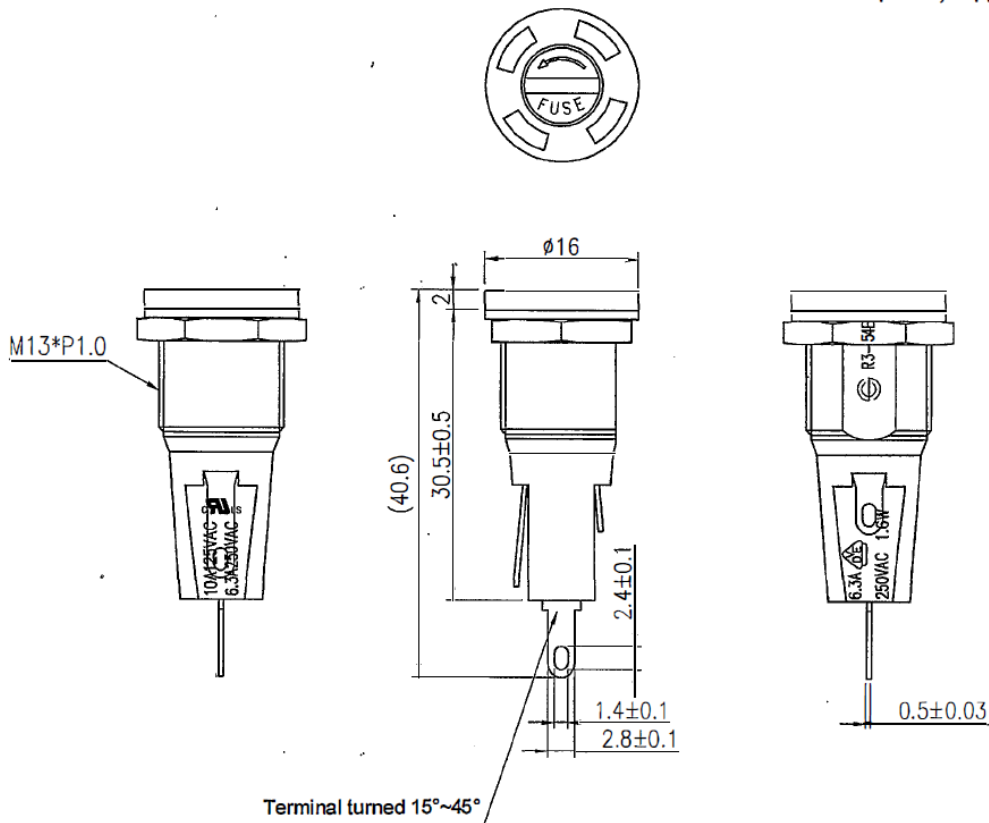


Fuse holder

Rating	10A 125V AC 6.3A 250V AC 1.6W		Mounting Hole 
Insulation Resistance	DC 500V 100M ohm Min		
Dielectric Strength	AC 1500V 1 Minute		
Fuse Size	ø5*20mm(0.197"*0.788")		

Material:
 Frame:Black,Nylon#66(94V-0)
 Cover:Black,Nylon#66(94V-0)
 Terminal:Silver plated,Copper alloy



Tolerances ±0.3 Unless Otherwise Specified Unit: mm

This is a publication by Conrad Electronic SE, Klaus-Conrad-Str. 1, D-92240 Hirschau (www.conrad.com).

All rights including translation reserved. Reproduction by any method, e.g. photocopy, microfilming, or the capture in electronic data processing systems require the prior written approval by the editor. Reprinting, also in part, is prohibited. This publication represents the technical status at the time of printing.

© Copyright 2017 by Conrad Electronic SE.