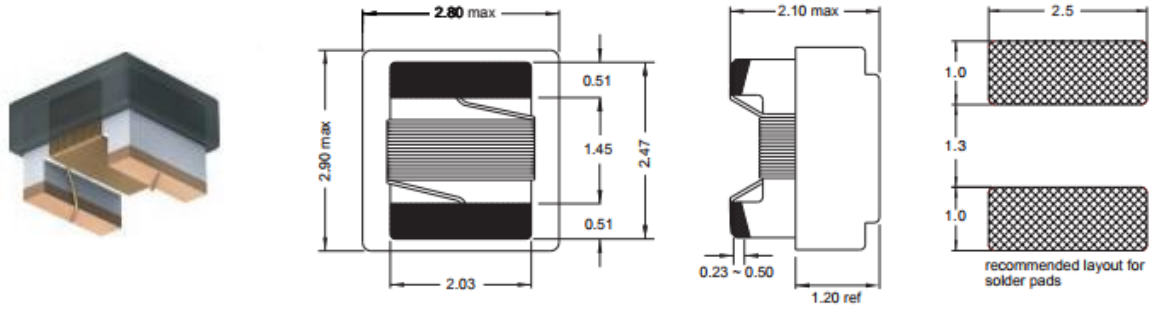


Datasheet

Item no. 1588991, 1589231, 1589232, 1589233, 1589103, 1589237, 1588992, 1589102, 1589238, 1589100, 1588993, 1588994, 1589234, 1589235, 1589236, 1589101



Part No	Inductance L (nH)	f_L (MHz)	Tol \pm (%)	Q (min)	f_Q (MHz)	SRF (MHz)	DCR max (Ω)	Rated DC Current (mA)
TC-1008AS-010J203	10	50	5	50	500	4100 min	0.08	1000
TC-1008AS-015J203	15	50	5	70	500	2500 min	0.10	1000
TC-1008AS-033J203	33	50	5	65	350	1600 min	0.14	1000
TC-1008AS-047J203	47	50	5	65	350	1500 min	0.16	1000
TC-1008AS-100K203	10000	7.9	10	24	7.9	44 typ	8.40	110
TC-1008AS-1R0K203	1000	25	10	36	50	290 typ	1.75	370
TC-1008AS-1R5K203	1500	7.9	10	35	50	200 typ	2.30	330
TC-1008AS-2R2K203	2200	7.9	10	28	50	160 typ	2.80	280
TC-1008AS-3R3K203	3300	7.9	10	22	25	110 typ	5.10	120
TC-1008AS-4N7J203	4.7	50	5	17	500	6000 min	0.15	600
TC-1008AS-4R7K203	4700	7.9	10	20	25	65 typ	6.00	110
TC-1008AS-6R8K203	6800	7.9	10	22	7.9	48 typ	7.50	110
TC-1008AS-R22J203	220	25	5	46	100	700 min	0.84	620
TC-1008AS-R33J203	330	25	5	51	100	570 min	1.05	470
TC-1008AS-R68J203	680	25	5	46	100	375 min	1.47	400
TC-1008AS-R82K203	820	25	5	52	100	350 min	1.61	600

Material: Ceramic

