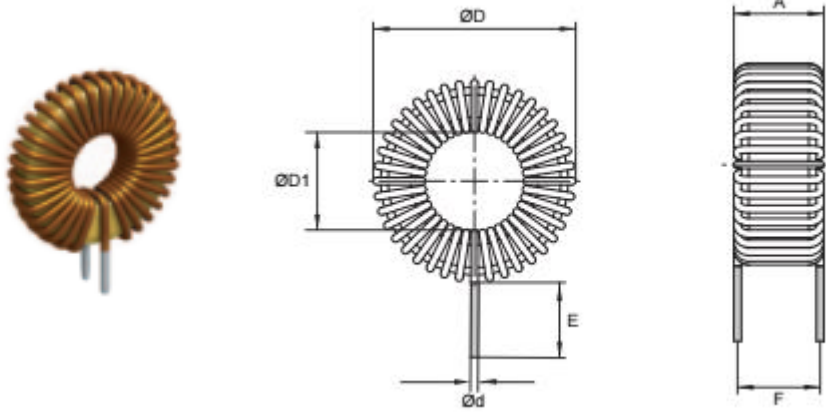


Datasheet

Item no. 1589312, 1589139, 1589313, 1589018



Part No	Inductance (fL = 1kHz)					Dimensions					
	At Idc =0A (µH)	At rated current (µH)	Tol ± (%)	DCR max (mΩ)	Weight (grams)	Ø D max	F	A max	E	Ø d	Ø D1 min
TC-TLC/0.5A-100M-00203	10	9.9	20	70	2.8	14	5.5	6.5	10	0.32	5
TC-TLC/0.5A-470M-00203	47	45.0	20	150	3.0	14	5.5	6.5	10	0.32	5
TC-TLC/0.5A-471M-00203	470	426.3	20	560	10.0	21.5	7	8	10	0.32	7
TC-TLC/0.5A-102M-00203	1000	836.0	20	820	10.8	21.5	7	8	10	0.32	10

Material: Iron Dust