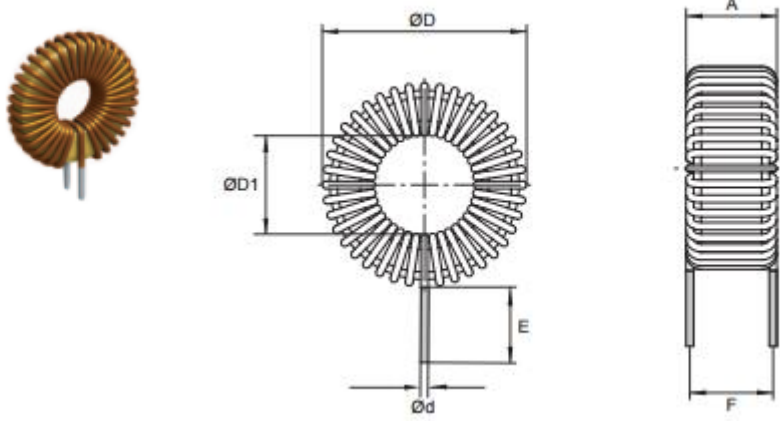


Datasheet

Item no. 1589314, 1589315, 1589019, 1589140



Part No	Inductance (fL = 1kHz)					Dimensions					
	At Idc =0A (µH)	At rated current (µH)	Tol ± (%)	DCR max (mΩ)	Weight (grams)	Ø D max	F	A max	E	Ø d	Ø D1 min
TC-TLC/1A-100M-00203	10	9.6	20	35	3.0	14.5	6	7	10	0.45	5
TC-TLC/1A-101M-00203	100	88.2	20	115	6.5	19.5	6	7	10	0.45	7
TC-TLC/1A-471M-00203	470	417.4	20	325	33.3	30	12.5	13.5	10	0.45	11.5
TC-TLC/1A-102M-00203	1000	807.0	20	476	35.0	31	13.5	14.5	10	0.45	11.5