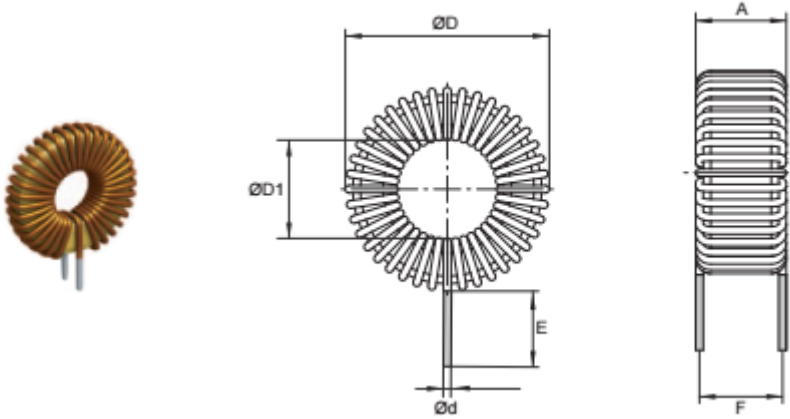


# Datasheet

Item no. 1589021, 1589321, 1589144, 1589322, 1589323



Part No	Inductance (fL = 1kHz)					Dimensions					
	At Idc =0A (µH)	At rated current (µH)	Tol ± (%)	DCR max (mΩ)	Weight (grams)	Ø D max	F	A max	E	Ø d	Ø D1 min
TC-TLC/10A-100M-00203	10	8.6	20	5.3	47	37	14	15	10	1.40	15.5
TC-TLC/10A-470M-00203	47	33.7	20	13.5	91	47	19	20	15	1.40	20
TC-TLC/10A-101M-00203	100	70.5	20	19.5	172	53	22	23	15	1.40	20
TC-TLC/10A-471M-00203	470	357	20	65	1024	85	56	57	20	1.40	43
TC-TLC/10A-102M-00203	1000	781	20	101	2535	110	71	72	20	1.40	50