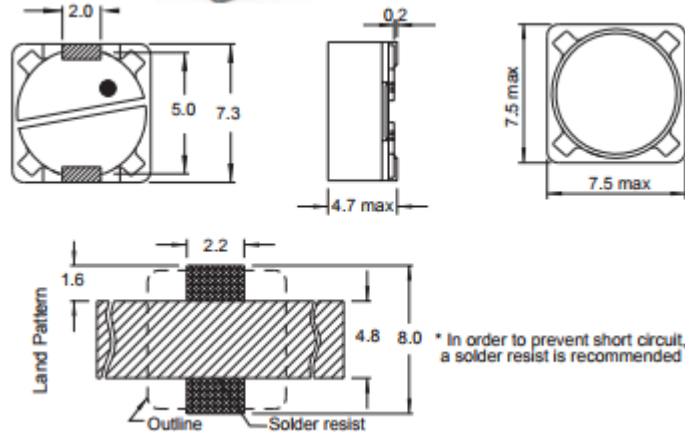
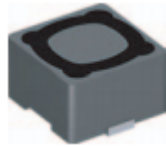


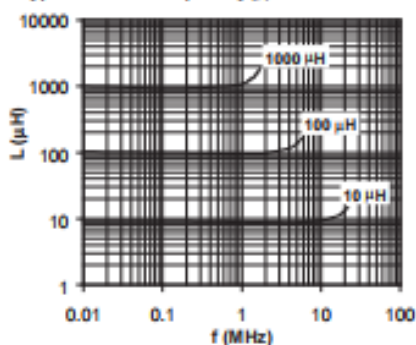
# Datasheet

Item no. 1589054, 1589181, 1589182, 1589051, 1589177, 1588980, 1589178, 1589179, 1589052, 1589053, 1589180



Part No	Inductance L (μH)	f <sub>L</sub> (kHz)	Tol ± (%)	DCR max (mΩ)	Rated DC Current I <sub>SAT</sub> (A)
TC-PIS2816-471M-04203	470	1	20	3010	0.26
TC-PIS2816-681M-04203	680	1	20	4630	0.22
TC-PIS2816-102M-04203	1000	1	20	6000	0.18
TC-PIS2816-220M-04203	22	1	20	110	1.23
TC-PIS2816-330M-04203	33	1	20	170	0.96
TC-PIS2816-680M-04203	68	1	20	380	0.69
TC-PIS2816-101M-04203	100	1	20	610	0.6
TC-PIS2816-151M-04203	150	1	220	880	0.46
TC-PIS2816-221M-04203	220	1	20	1170	0.36
TC-PIS2816-271M-04203	270	1	20	1640	0.34
TC-PIS2816-331M-04203	330	1	20	1860	0.32

Typical L vs Frequency(f)



Typical L vs Current

