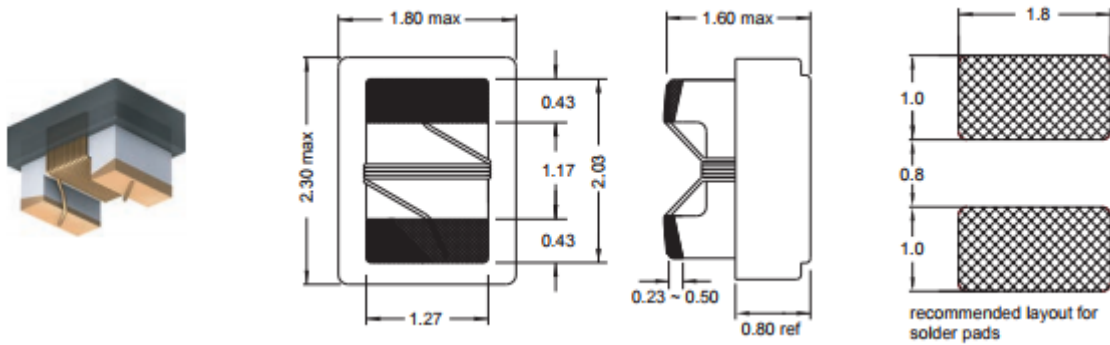


# Datasheet

Item no. 1589192, 1589062, 1589063, 1589064, 1589065, 1589066, 1589193, 1555985, 1589194, 1588986, 1589067, 1589195, 1589196



Part No	Inductance L (nH)	$f_L$ (MHz)	Tol $\pm$ (%)	Q (min)	$f_Q$ (MHz)	SRF (MHz)	DCR max ( $\Omega$ )	Rated DC Current (mA)
TC-0805AS-6N8J-01203	6.8	250	10	50	1000	5500 min	0.11	600
TC-0805AS-010J-01203	10	250	5	43	1000	4300 min	0.13	600
TC-0805AS-015J-01203	15	250	5	50	500	3400 min	0.17	600
TC-0805AS-022J-01203	22	250	5	57	500	2600 min	0.22	500
TC-0805AS-033J-01203	33	250	5	60	500	2050 min	0.27	500
TC-0805AS-047J-01203	47	200	5	65	500	1650 min	0.31	500
TC-0805AS-R10J-01203	100	150	5	65	500	1200 min	0.46	400
TC-0805AS-R22J-01203	220	100	5	59	250	850 min	0.70	400
TC-0805AS-R33J-01203	330	100	5	40	100	790 min	1.80	260
TC-0805AS-1R0J-01203	1000	25	10	23	50	215 typ	2.35	180
TC-0805AS-2R2J-01203	2200	7.9	10	15	7.9	80 typ	3.80	150
TC-0805AS-3R3J-01203	3300	7.9	10	15	7.9	80 typ	5.10	120
TC-0805AS-4R7J-01203	4700	7.9	10	15	7.9	50 typ	8.00	100

Material: Ceramic

