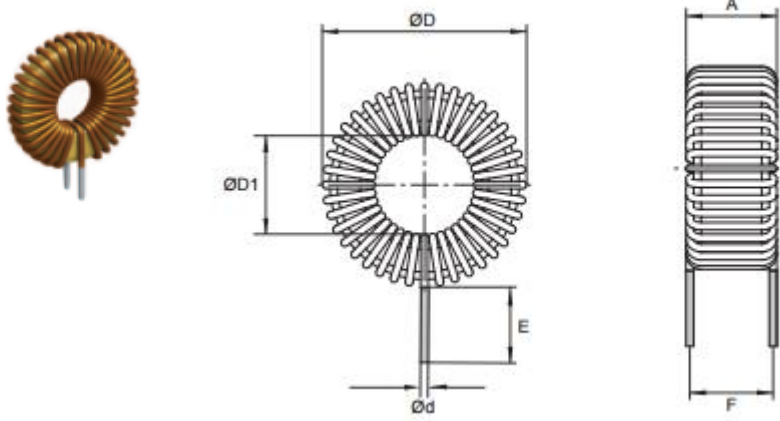


Datasheet

Item no. 1589314, 1589315, 1589019, 1589140



| Part No | Inductance (fL = 1kHz) | | | | | Dimensions | | | | | |
|----------------------|------------------------|--------------------------|--------------|-----------------|-------------------|------------|------|-------|----|------|----------|
| | At Idc = 0A | | Tol ± (%) | DCR max (mΩ) | Weight (grams) | Ø D max | F | A max | E | Ø d | Ø D1 min |
| | At Idc = 0A (µH) | At rated current (µH) | | | | | | | | | |
| TC-TLC/1A-100M-00203 | 10 | 9.6 | 20 | 35 | 3.0 | 14.5 | 6 | 7 | 10 | 0.45 | 5 |
| TC-TLC/1A-101M-00203 | 100 | 88.2 | 20 | 115 | 6.5 | 19.5 | 6 | 7 | 10 | 0.45 | 7 |
| TC-TLC/1A-471M-00203 | 470 | 417.4 | 20 | 325 | 33.3 | 30 | 12.5 | 13.5 | 10 | 0.45 | 11.5 |
| TC-TLC/1A-102M-00203 | 1000 | 807.0 | 20 | 476 | 35.0 | 31 | 13.5 | 14.5 | 10 | 0.45 | 11.5 |