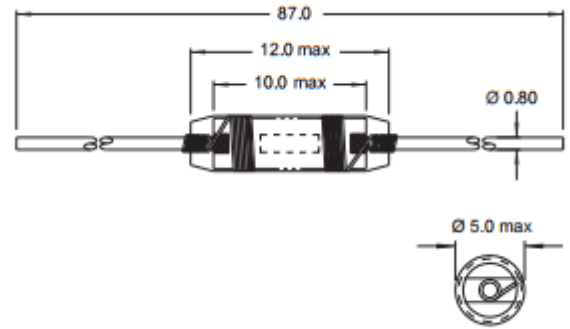


Datasheet

Item no. 1589273, 1589271, 1589268, 1589121, 1589272, 1589269, 1589270



Part No	Inductance L (µH)	f_L (kHz)	Tol ± (%)	DCR max (mΩ)	Rated DC Current (A)
TC-MISC-101M-01203	100	100	20	22800	0.15
TC-MISC-140M-01203	14	100	20	912	0.7
TC-MISC-1R0M-01203	1	1000	20	18	4
TC-MISC-2R0M-01203	2	1000	20	54	3
TC-MISC-300M-00203	30	100	20	3240	0.4
TC-MISC-3R0M-00203	3	1000	20	93	2
TC-MISC-6R0M-01203	6	1000	20	228	1.5

Typical |Z| vs Frequency(f)

