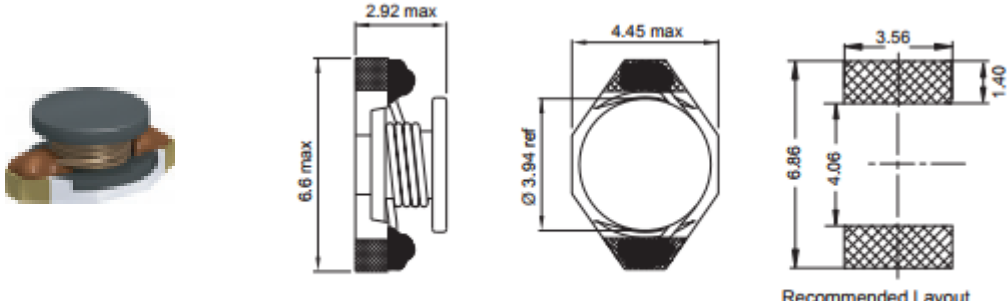


# Datasheet

Item no. 1589294, 1589013, 1589299, 1589010, 1589295, 1589296, 1589293, 1589011, 1589014, 1589012, 1589297, 1589298



Part No	Inductance L (μH)	f <sub>L</sub> (MHz)	Tol ± (%)	SRF min (MHz)	DCR max (mΩ)	Rated DC Current	
						I <sub>SAT</sub>	I <sub>ΔT = 30°C</sub>
TC-PISG-100M-01203	10	0.1	20	35	0.16	1.1	1.1
TC-PISG-101M-01203	100	0.1	20	9	1	0.4	0.3
TC-PISG-102M-01203	1000	0.1	20	2	13.8	0.1	0.07
TC-PISG-150M-01203	15	0.1	20	30	0.23	0.9	1.2
TC-PISG-220M-01203	22	0.1	20	20	0.37	0.7	0.8
TC-PISG-221M-01203	220	0.1	20	5.5	3.11	0.22	0.2
TC-PISG-2R2M-01203	2.2	0.1	20	90	0.07	2.3	2.4
TC-PISG-330M-01203	33	0.1	20	15	0.51	0.58	0.6
TC-PISG-331M-01203	330	0.1	20	5	3.8	0.18	0.16
TC-PISG-471M-01203	470	0.1	20	4	5.06	0.16	0.15
TC-PISG-680M-01203	68	0.1	20	11	0.86	0.4	0.4
TC-PISG-681M-01203	680	0.1	20	3	9.2	0.14	0.12

**Material:** Ferrite

Typical L vs Frequency(f)

