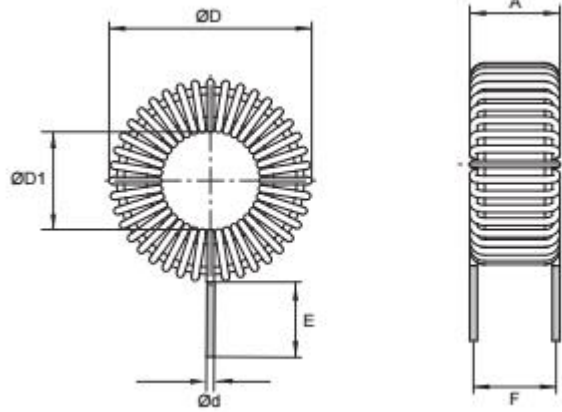


# Datasheet

Item no. 1589309, 1589138, 1589310, 1589311



Part No	Inductance (fL = 1kHz)			Tol ± (%)	DCR max (mΩ)	Weight (grams)	Dimensions					
	At Idc =0A (µH)	At rated current (µH)					Ø D max	F	A max	E	Ø d	Ø D1 min
TC-TCL/0.25A-100M-00203	10	10.0		20	120	2.0	12	4	5	10	0.15	4.5
TC-TCL/0.25A-470M-00203	47	46.3		20	260	2.1	12	4	5	10	0.15	4.5
TC-TCL/0.25A-101M-00203	100	97.0		20	370	2.2	12	4	5	10	0.15	4.5
TC-TCL/0.25A-102M-00203	1000	849.0		20	1370	3.6	14	4.5	6.5	10	0.15	4.5

**Material:** Iron Dust