

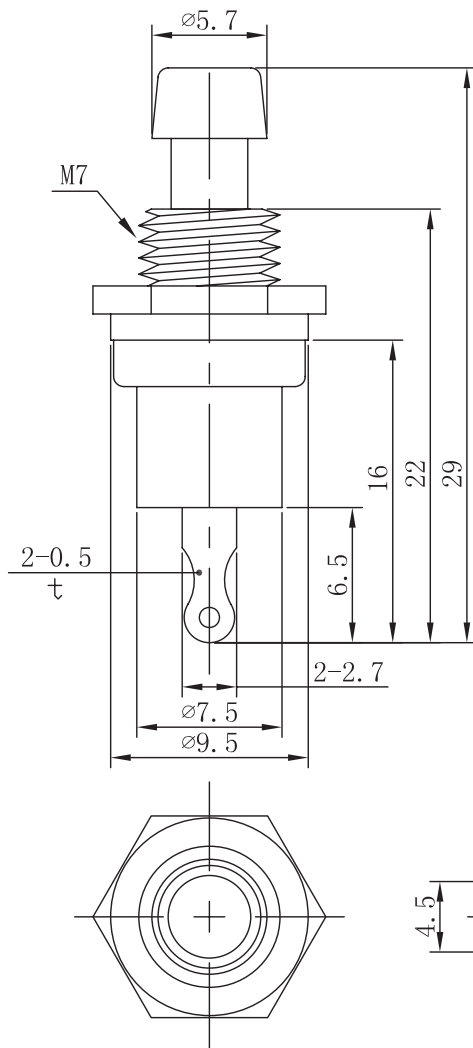
Datasheet

Item no. TC-MT250ART

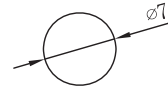
The Main Technology Performance

Item	Parameter
Rated voltage Rated current	0.5A 250VAC
Insulated resistance	DC 500V 100MΩ min
Contact resistance	50mΩ Max
Dielectric strength	AC 1500V 1 minute
Operating Temperature	-25°C ~ +85°C
Electrical Life	≥10000 Cycles

Spring	1	Spring steel wire 0.5mm
Contact	1	Brass Plated silver
terminal	2	Brass Plated silver
Bottom	1	PBT
housing	1	Brass Plated ni
Button	1	POM
NAME	Q' TY	MATERIAL



PANEL CUT-OUT



Circuit

