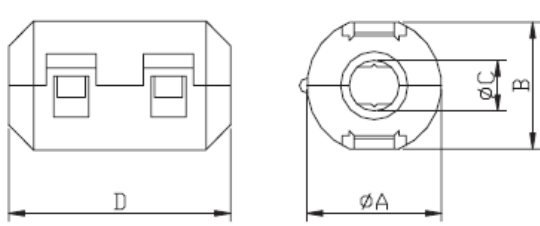



# Datasheet

Item no. 1589535

MATERIAL		RF75			
DIMENSIONS					
A	17.0 ± 1.0 (mm)				
B	15.5 ± 1.0 (mm)				
C	7.00 ± 0.3 (mm)				
D	30.5 ± 1.0 (mm)				
					
ELECTRIC CHARACTER		25 MHz	100 MHz		
		≥ 70	≥ 150		
WINDING		2 UEW Φ0.65×120 mm 1/2Ts			
TEST CONDITIONS		temperature	25 °C		
		humidity	75 %		

