

# Datasheet

## SPECIFICATIONS TC-D01-xxASA1-G

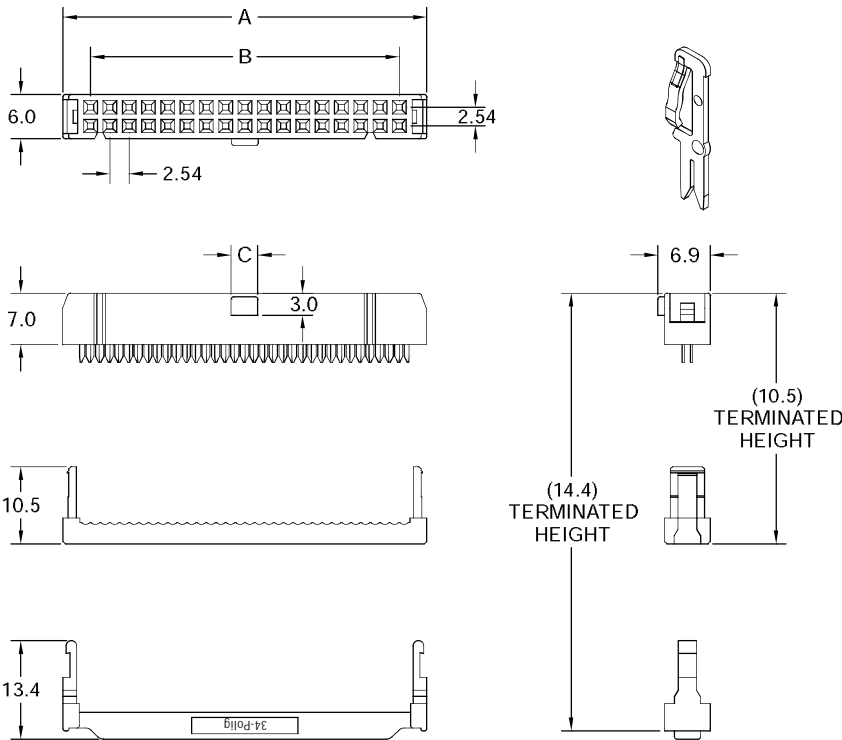
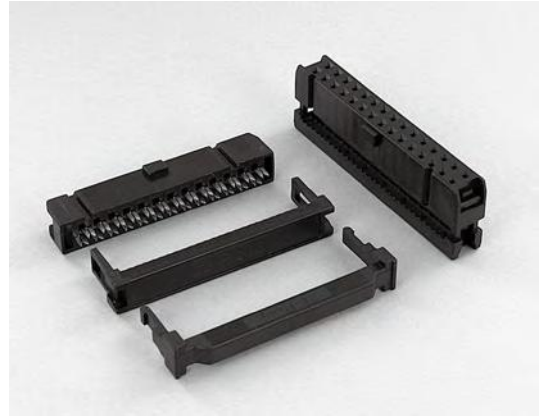
### Material

Insulator : PBT, glass reinforced, rated UL 94V-0  
 Contact : Phosphor Bronze or Brass

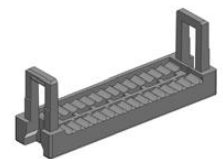
### Electrical

Current Rating : 1 Amp  
 Contact Resistance : 30 mΩ max.  
 Insulation Resistance : 3000 MΩ min.  
 Dielectric Withstanding Voltage : 500V AC for 1minute  
 Operating Temperature : -40°C to +105°C

- ▶ Terminated with 1.27mm pitch flat ribbon cable.
- ▶ Mating Suggestion: TC-F03, TC-F04 series.



POSITION	A	B	C
4	9.78	2.54	1.85
6	12.32	5.08	1.85
8	14.86	7.62	1.85
10	17.40	10.16	3.50
12	19.94	12.70	3.50
14	22.48	15.24	3.50
16	25.02	17.78	3.50
20	30.10	22.86	3.50
24	35.18	27.94	3.50
26	37.72	30.48	3.50
30	42.80	35.56	3.50
34	47.88	40.64	3.50
36	50.42	43.18	3.50
40	55.50	48.26	3.50
44	60.58	53.34	3.50
50	68.20	60.96	3.50
56	75.82	68.58	3.50
60	80.90	73.66	3.50
62	83.44	76.20	3.50
64	85.98	78.74	3.50



CLOSE END COVER

How to order: TC-D01 - 1 - 2 - 3 - 4 - 5 - G(RoHS) Pitch 2,54mm x 2,54mm

1.NO. OF CONTACT	2.CONTACT MATERIAL	3.CONTACT PLATING	4.SPECIAL FUNCTION	5.INSULATOR COLOR
04 06 08 10 12 14 16 20 24 26 30 34 36 40 44 50 56 60 62 64	<b>A: BRASS</b> B: PHOSPHOR BRONZE	T: TIN PLATED <b>S: SELECTIVE</b> G: GOLD FLASH A: 5u" INCH GOLD B: 10u" INCH GOLD C: 15u" INCH GOLD D: 30u" INCH GOLD	<b>A: W STRAIN RELIEF W BAR</b> B: W/O STRAIN RELIEF W BAR C: W STRAIN RELIEF W/O BAR D: W/O STRAIN RELIEF W/O BAR	<b>1. BLACK</b> 2. GREY