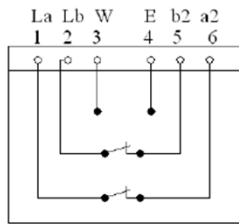
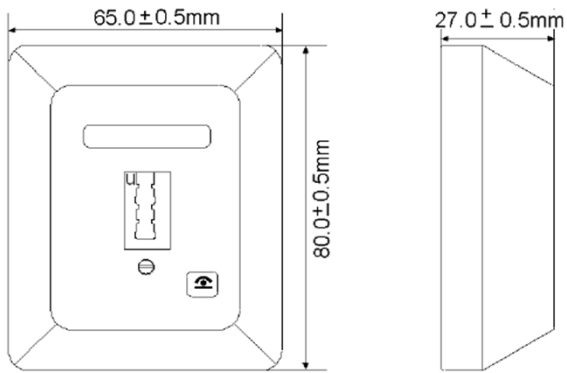
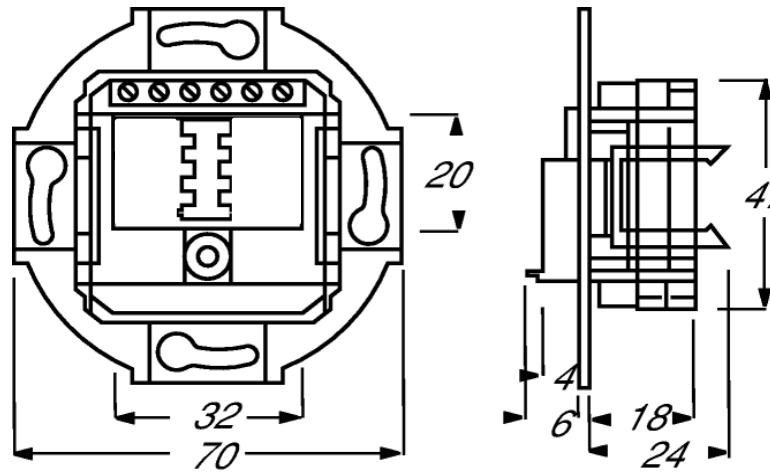


	REVISED	DR	APP



TAE-U

Surface mount



Flush mount



1590598



1590597

1	CONNECTORS	1 x TAE-U (Universal)
2	MOLDING	
3	CABLE	
NO	PART NAME	



DESCRIPTION		TAE-U WALL SOCKET					
SIZE	A4	DATE	09.01.2017	CHECKED		TOL	
UNIT	MM	DRAWN	CHH	APPROVED			264431+264415
CUSTOM TARIF NO.: 85366990990							