

	REVISED	DR	APP



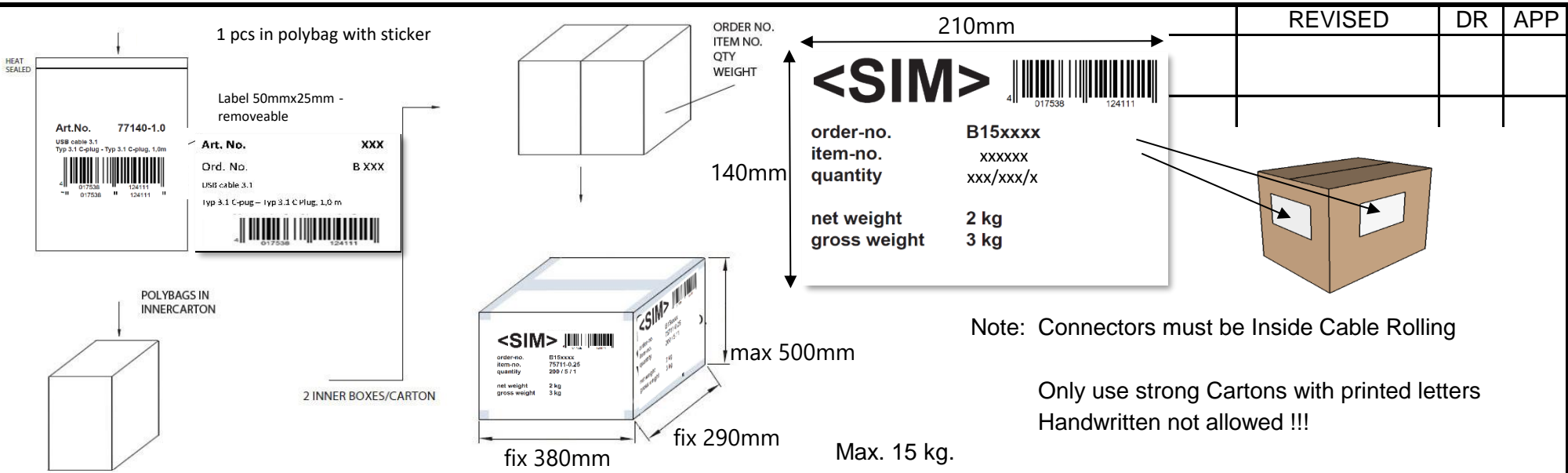
L = LENGTH
H = HIGH
D = DIAMETER
MT = MATERIAL THICKNESS
W = WIDTH
MM = MILLIMETER

1	MATERIAL	ALUMINUM
2	MEASUREMENT	PIPE: L=350MM, H=250MM, D=50MM, MT=2.5MM WALL PLATE: H=150MM W=150MM, MT=4.3MM
3		
NO	PART NAME	

MANUFACTORY CERTIFICATION: TÜV



		DESCRIPTION	SAT WALL BRACKET, ALU, 350 x 250mm				
SIZE	A4	DATE	05.05.2022	CHECKED		TOL	89821-T
UNIT	MM	DRAWN	SIM	APPROVED			
CUSTOM TARIF NO.: 73269098900							



ART.NO.	LENGTH	ROLLING SIZE	NET.WEIGHT (g)	PACKING	EAN CODE
89821-T	x	350x250x50mm	707g	Innercarton XXX pcs / Exportcarton XXX pcs	4017538025494

DESCRIPTION		SAT WALL BRACKET, ALU, 350 x 250mm					
SIZE	A4	DATE	05.05.2022	CHECKED		TOL	89821-T
UNIT	MM	DRAWN	R.Hueller	APPROVED			
CUSTOM TARIF NO.: 73269098900							