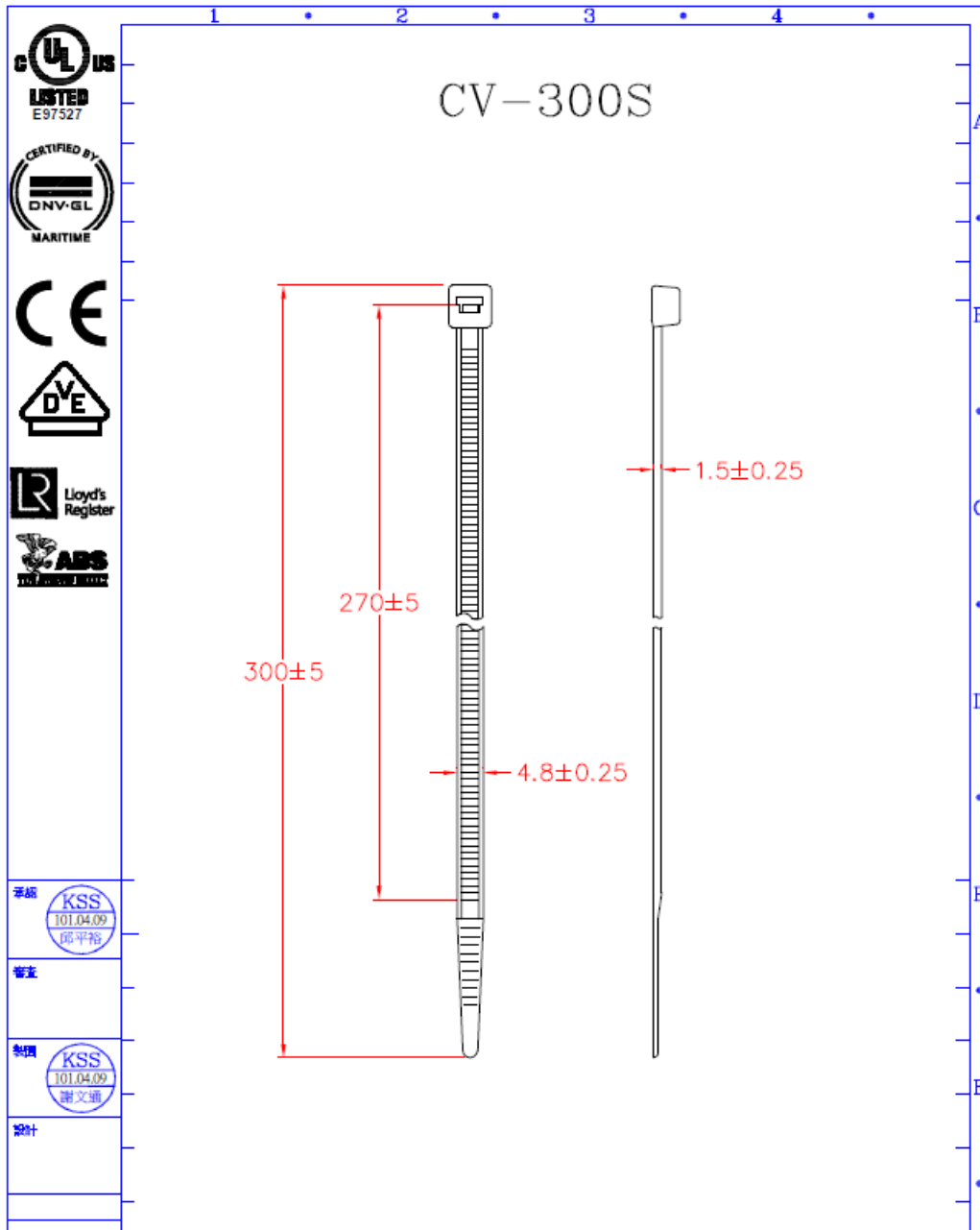


Data Sheet

Nylon Cable Tie, Black, 300mm x 4.8mm, 100pcs/set



Data Sheet

Article text customer: KABELBINDER 300 MM SCHWARZ 100 ST

- 100pcs/bag

Width: 4.8mm

Material: NYLON 66

Minimum holding force: MHF 22kg

Operating temperature: -5~ +85

Flammability: 94V-2