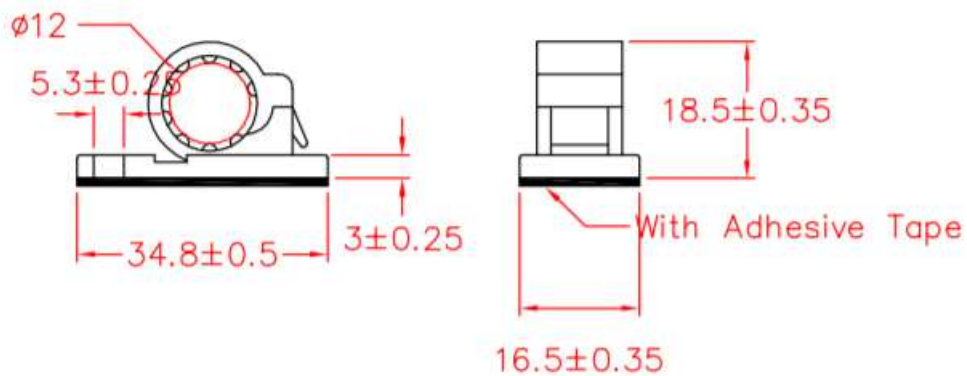


Data Sheet

SELF-ADHESIVE CABLE CLAMP, 100pcs/polybag

8J-S



Technical data

Material: nylon

Size: 34.8*16.5*18.5mm