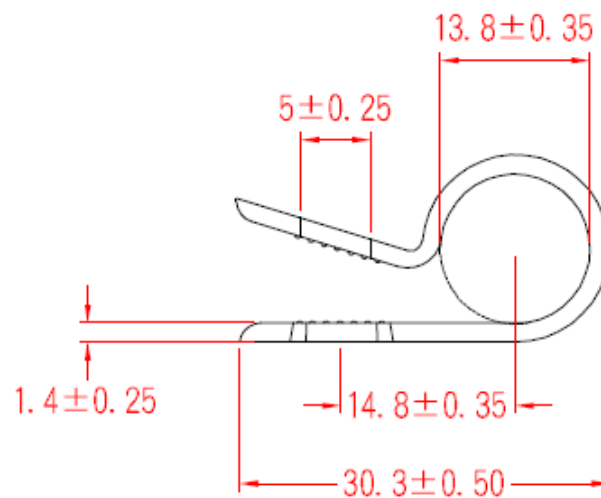


Data Sheet

Description name :CABLE CLAMP



Technical data

Material : NYLON 66

Color : Natural