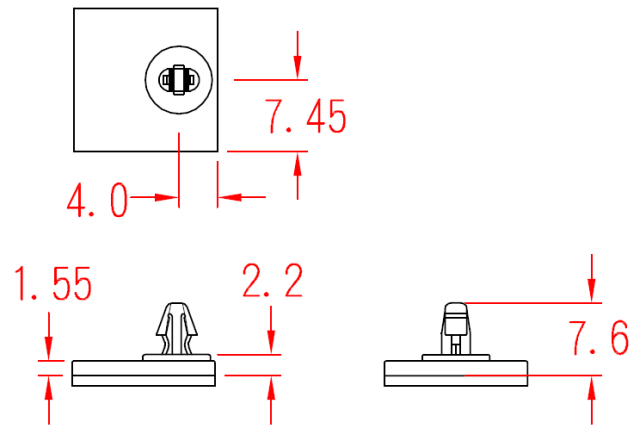


**Spacer Polyamide Distance 2.2 mm**



Material .....	Polyamide
Color .....	Ecru
Type .....	MMS2
PCB hole diameter board .....	3.2mm
Board thickness (max.) .....	1.8mm

This is a publication by Conrad Electronic SE, Klaus-Conrad-Str. 1, D-92240 Hirschau (www.conrad.com).  
 All rights including translation reserved. Reproduction by any method, e.g. photocopy, microfilming, or the capture in electronic data processing systems require the prior written approval by the editor. Reprinting, also in part, is prohibited. This publication represents the technical status at the time of printing.