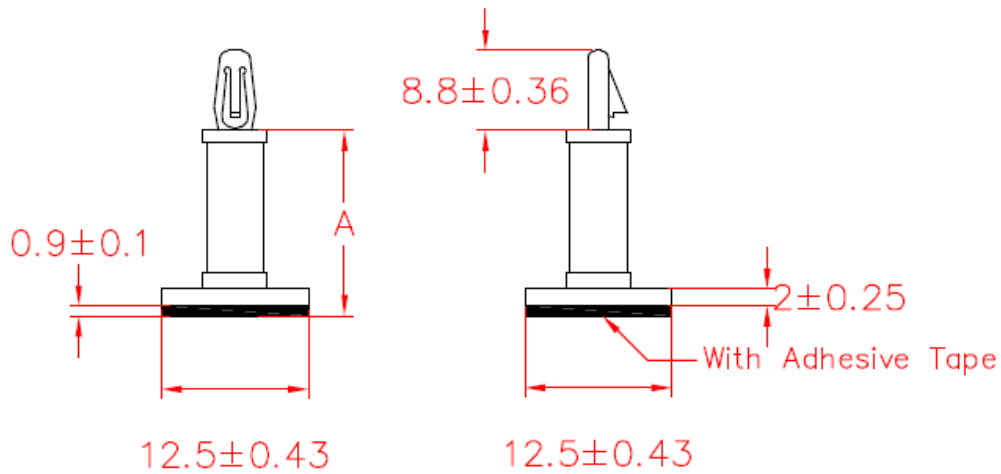


## Data Sheet

Board holder self-adhesive support

To fit 3.2mm hole  
chassis 1.6mm



BN	A (mm)
1593475	12.7±±.43