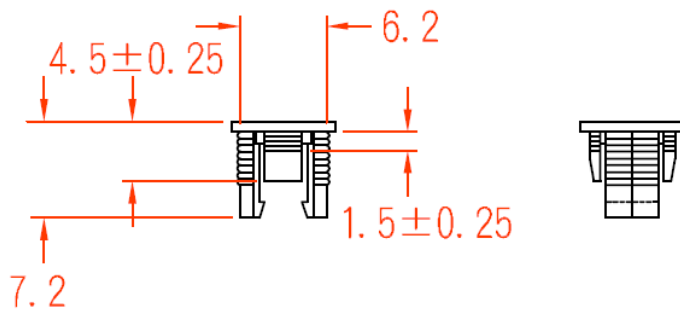
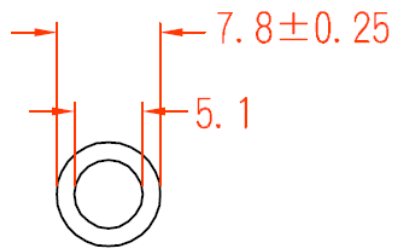


## Data Sheet

---

### LED socket



Tolerance: +/-0.5mm

## Data Sheet

---

### Technical data

<b>Colour</b>	Black
<b>Type</b>	PCL-5A
<b>Content</b>	1 pc(s)
<b>(Ø)</b>	7.8 mm
<b>Height</b>	7.2 mm
<b>Suitable for</b>	LED 5 mm
<b>Mounting type</b>	Snap-in
<b>Material</b>	Polyamide 6.6
<b>Recess diameter</b>	6.2 mm
<b>RoHS-compliant</b>	Yes