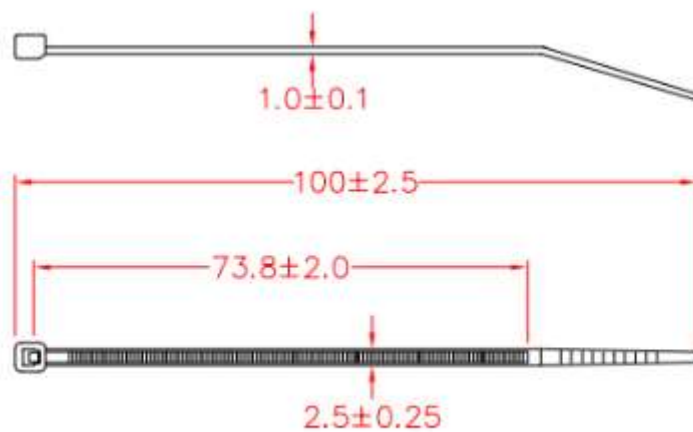


Data Sheet

NYLON CABLE TIE 100mm, 100pcs/pak

CV-100



Technical data

Material: UL 94V-2 Nylon 66

Size: 1.0*100*2.5mm