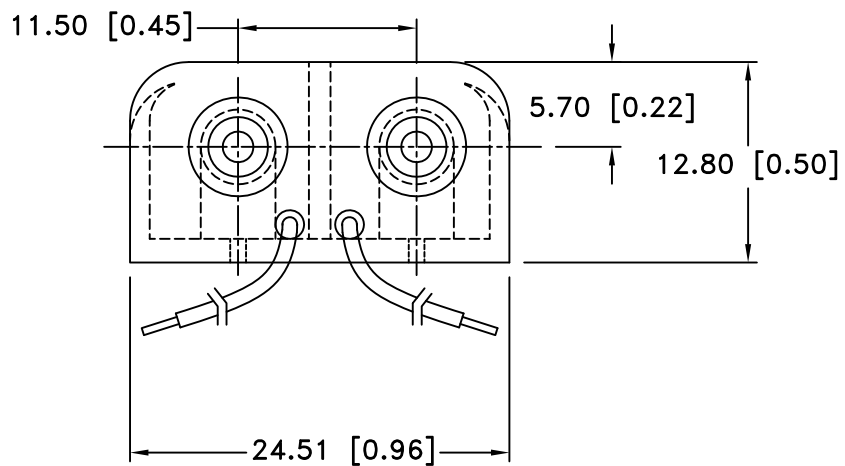
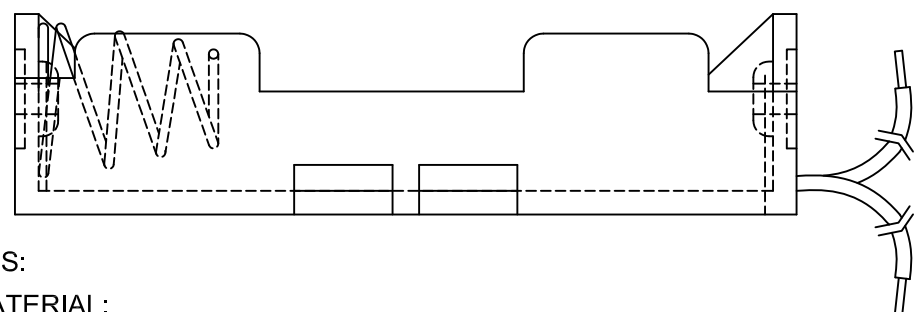
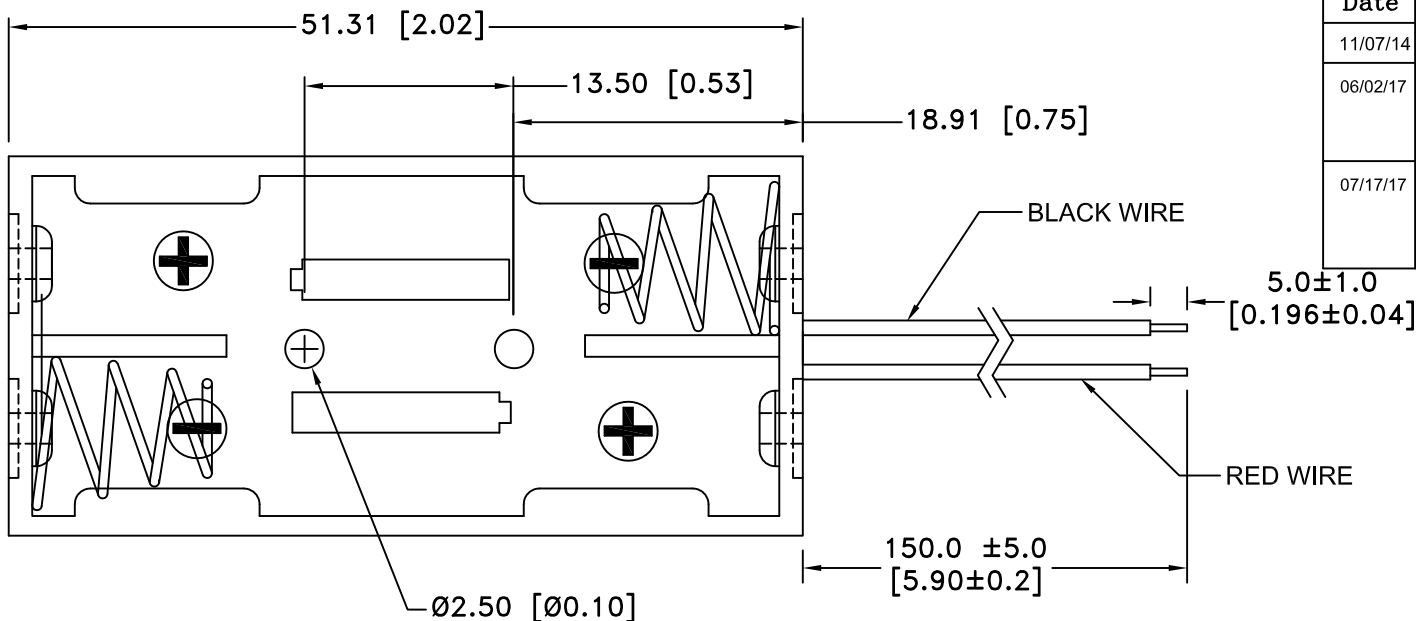



Date	SYM	REVISION RECORD	AUTH	DR.	CK.
11/07/14	F	UPDATED TO ROHS 2 COMPLIANT	T.B.	B.S.	
06/02/17	G	DIM. 12.80 WAS 13.00 DIM. 13.60 WAS 14.22 DIM. 24.20 WAS 24.40	T.B.	B.S.	
07/17/17	H	DIM. 51.31 WAS 51.40 DIM. 13.50 WAS 13.60 DIM. 18.91 WAS 18.29 DIM. 24.51 WAS 24.20 DIM. 5.70 WAS 5.49	T.B.	B.S.	



NOTES:
 1. MATERIAL:
 HOUSING : POLYPROPYLENE, UL94-HB, UL FILE NO. E216959
 TEMPERATURE RANGE: -10°C to +140°C
 RIVETS: BRASS, NICKEL PLATED.
 SPRING: SPRING STEEL, NICKEL PLATED.
 WIRE: 26 AWG, UL1007, CSA, TR64
 CONTACT RESISTANCE: UNDER 50mΩ FOR +/- CONTACTS PER EIA-540J000

ROHS 2 COMPLIANT

Mounting Instruction:
 Use 2-56 machine screws or eyelets 0.089" OD by 0.15" flange stimpson GS-3 series or equivalent. also adhesives and double sided tapes work well.

Tolerance (Except as noted)	 Memory Protection Devices, Inc 200 Broad Hollow Road, Farmingdale, New York 11735	Scale	Drawn By B.S.
			Approved By T.B.
decimal ±.5 (.020)	Title TWO "AAA" CELL HOLDER WITH WIRE LEADS		
Fractional ± .8 (.030)		Date 07/17/17	Drawing Number BC2AAAW
Angular ± 3°			