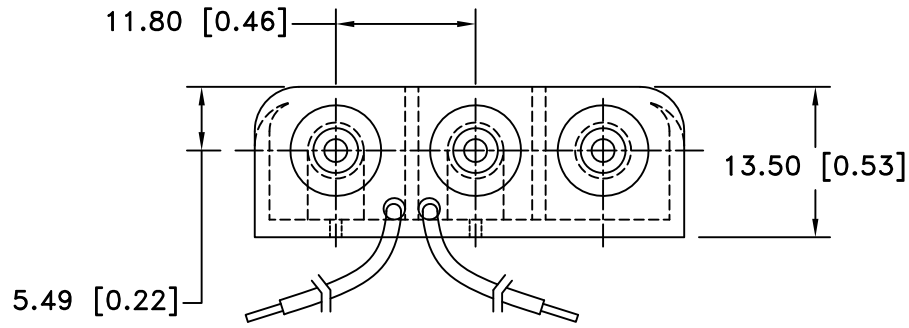
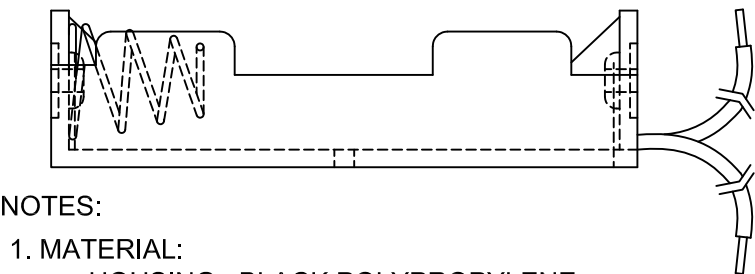
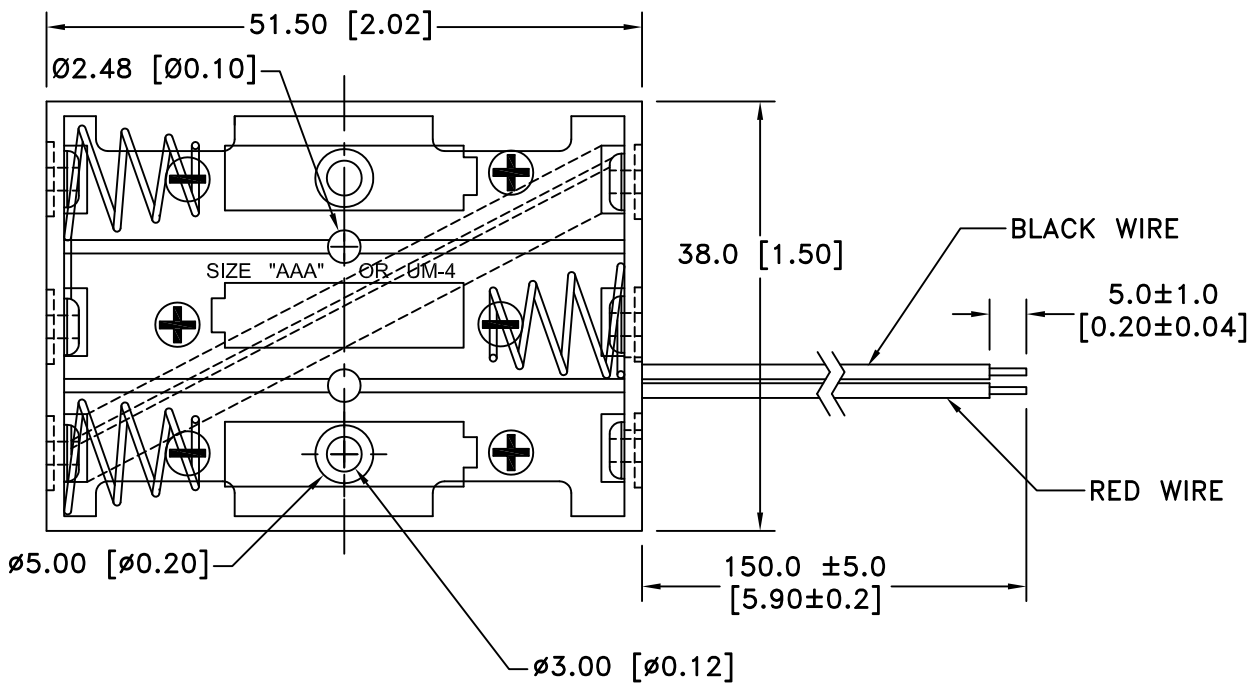


Date	SYM	REVISION RECORD	AUTH	DR.	CK.
9/08/07	A	ADDED "ROHS COMPLIANT" UPDATED MATERIAL NOTES	T.B.	B.S.	
4/05/13	B	UPDATED TO "ROHS 2 COMPLIANT" UPDATED DIVIDING RIBS	T.B.	B.S.	
06/14/13	C	UPDATED TITLE	T.B.	B.S.	
07/07/17	D	DIM. 38.0 WAS 37.0 DIM. 2.48 WAS 2.82	T.B.	B.S.	



NOTES:


1. MATERIAL:

HOUSING : BLACK POLYPROPYLENE
 FLAMMABILITY RATING -UL94-HB, UL FILE NO. E216959
 TEMPERATURE RANGE: -10°C to +100°C
 RIVETS: BRASS, NICKEL PLATED.
 SPRING: SPRING STEEL, NICKEL PLATED.
 WIRE: 26 AWG, UL1007, CSA, TR64, 300V, 80°C
 CONTACTS: SPRING STEEL, NICKEL PLATED.
 CONTACT RESISTANCE: UNDER 50mΩ FOR +/- CONTACTS PER
 EIA-540J000

ROHS 2 COMPLIANT

MOUNTING INSTRUCTION:

USE 2-56 MACHINE SCREWS OR EYELETS 0.089" OD
 BY 0.15" FLANGE STIMPSON GS-3 SERIES OR EQUIVALENT.
 ALSO ADHESIVES AND DOUBLE SIDED TAPES WORK WELL.

Tolerance (Except as noted)	 Memory Protection Devices, Inc 200 Broad Hollow Road, Farmingdale, New York 11735	Scale	Drawn By B.S.
			Approved By T.B.
decimal ±.5 (.020)	Title THREE "AAA" CELL HOLDER WITH WIRE LEADS		
Fractional ± .8 (.030)		Date 07/07/17	Drawing Number BC3AAAW
Angular ± 3°			