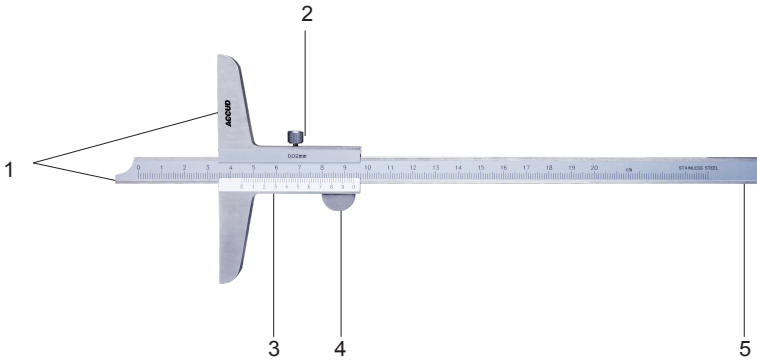
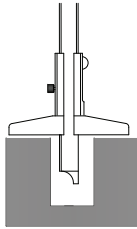


DEPTH CALIPER



- 1-Measuring faces
- 2-Locking screw
- 3-Vernier with vernier scale
- 4-Thumb clamp
- 5-Beam

1. Measurement



2. Please clean the measuring faces and beam with soft cloth then measure

3. The reading is obtained by adding the reading of the vernier scale to that of the main scale. Take the vernier scale reading at the graduation which coincides with the one on the main scale. Details please refer to following figures.

Graduation: 0.02mm

