






**Contact element, Cage Clamp, Push-in, Front fixing, 1 NC, 24 V 1.5 A, 230 V 1.5 A**

**Part no. M22-FK01**  
**Catalog No. 180791**  
**Alternate Catalog No. M22-FK01**  
**EL-Nummer (Norway) 4315742**

### Delivery program

Basic function accessories		Contact elements
Description		Cage Clamp is a registered trademark of Wago Kontakttechnik GmbH/Minden, Germany
Connection technique		Cage Clamp, Push-in
Fixing		Front fixing
Degree of Protection		IP20
Connection to SmartWire-DT		no
Approval		
<b>Contacts</b>		
N/C = Normally closed		1 NC 
Notes		 = safety function, by positive opening to IEC/EN 60947-5-1
<b>Actuator travel and actuation force as per DIN EN 60947-5-1, K.5.4.1</b>		
	mm	5.5
Maximum travel	mm	5.8
Minimum force for positive opening	N	20

Contact sequence			
<b>Contact travel diagram, stroke in connection with front element</b>			
Contact diagram			
Connection technique			Cage Clamp, Push-in

## Technical data

### General

Standards			IEC 60947-5-1
Lifespan, mechanical	Operations	$\times 10^6$	> 1
Operating frequency	Operations/h		$\leq 3600$
Actuating force	n		$\leq 4.5$
Degree of Protection			IP20
Climatic proofing			Damp heat, constant, to IEC 60068-2-78 Damp heat, cyclic, to IEC 60068-2-30 Dry heat to IEC 60068-2-2
Ambient temperature			
Open		°C	-25 - +70
Storage		°C	-40 - +85
Mechanical shock resistance to IEC 60068-2-27 Shock duration 11 ms, half-sinusoidal		g	> 50
Terminal capacities		mm <sup>2</sup>	
Solid		mm <sup>2</sup>	2 x 1 (0.2 - 1.5) 2 x 1 (0.75 - 1.5) Can be plugged without tools
Flexible with ferrule		mm <sup>2</sup>	2 x 1 (0.25 - 1) Use WAGO Variocrimp 4 crimping tool; please enquire for others
Flexible without ferrule		mm <sup>2</sup>	2 x 1 (0.25 - 1) Insert with tool
Solid or stranded		AWG	2 x 1 (24 - 16)

### Contacts

Rated impulse withstand voltage	$U_{imp}$	V AC	4000
Rated insulation voltage	$U_i$	V	250
Overvoltage category/pollution degree			III/3
Max. short-circuit protective device			
Fuseless		Type	FAZ-B4
Fuse	gG/gL	A	4

### Switching capacity

Rated operational current	$I_e$	A	
---------------------------	-------	---	--

AC-15			
24 V	$I_e$	A	4
60 V	$I_e$	A	4
110 V	$I_e$	A	2
230 V	$I_e$	A	1.5
DC-13			
24 V	$I_e$	A	1.5
60 V	$I_e$	A	0.8
110 V	$I_e$	A	0.4
220 V	$I_e$	A	0.2

#### Auxiliary contacts

Rated conditional short-circuit current	$I_q$	kA	1
---	-------	----	---

### Design verification as per IEC/EN 61439

Technical data for design verification			
Operating ambient temperature min.		°C	-25
Operating ambient temperature max.		°C	70

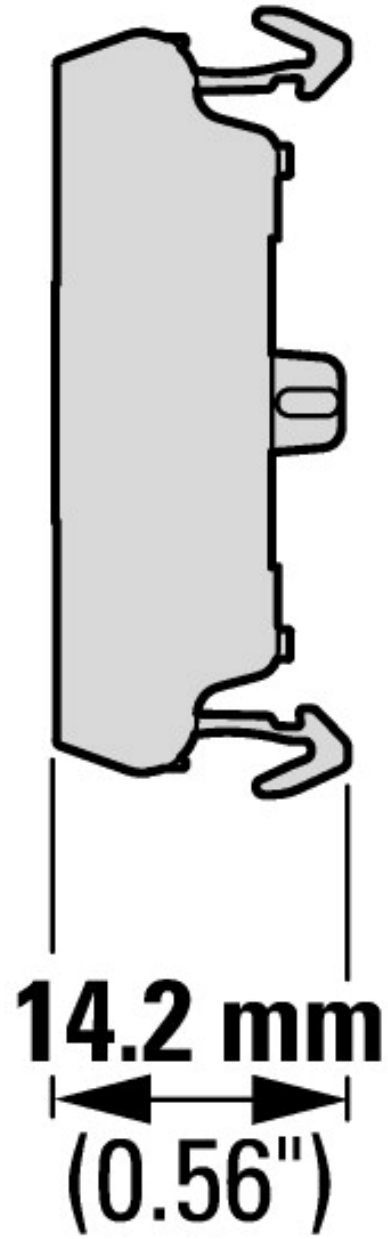
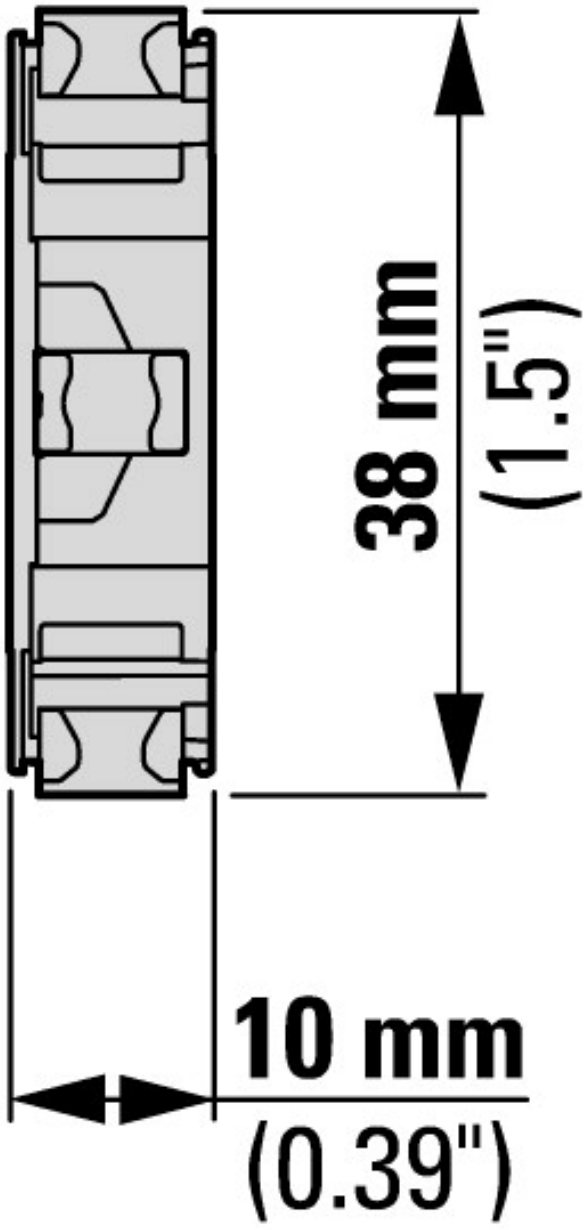
### Technical data ETIM 7.0

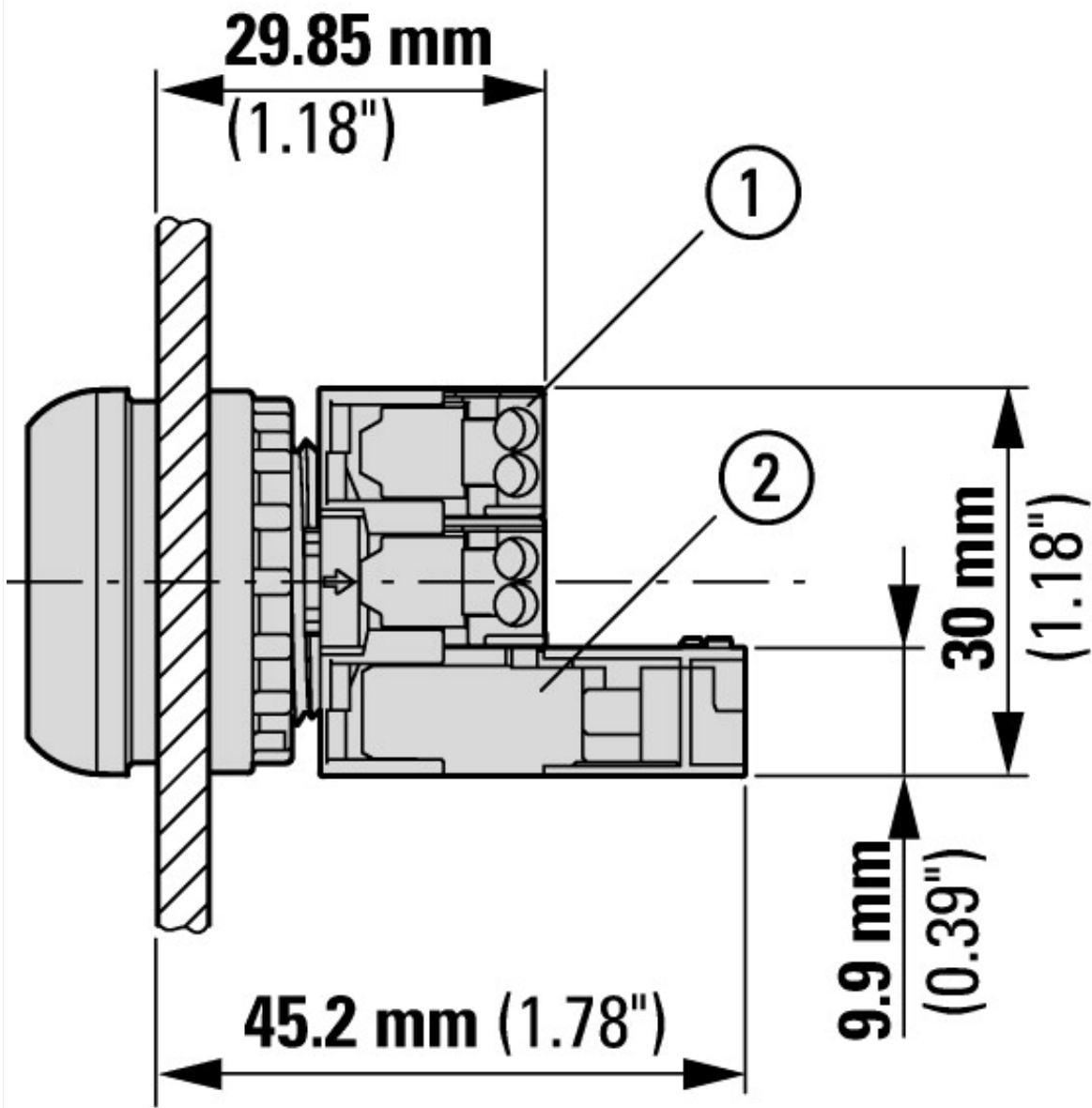
Low-voltage industrial components (EG000017) / Auxiliary contact block (EC000041)			
Electric engineering, automation, process control engineering / Low-voltage switch technology / Component for low-voltage switching technology / Auxiliary switch block (ec@ss10.0.1-27-37-13-02 [AKN342013])			
Number of contacts as change-over contact			0
Number of contacts as normally open contact			0
Number of contacts as normally closed contact			1
Number of fault-signal switches			0
Rated operation current $I_e$ at AC-15, 230 V		A	1.5
Type of electric connection			Spring clamp connection
Model			Top mounting
Mounting method			Front fastening
Lamp holder			None

### Approvals

Product Standards			IEC/EN 60947-5; UL 508; CSA-C22.2 No. 14-05; CSA-C22.2 No. 94-91; CE marking
UL File No.			E29184
UL Category Control No.			NKCR
CSA File No.			012528
CSA Class No.			3211-03
North America Certification			UL listed, CSA certified
Degree of Protection			UL/CSA Type: -

## Dimensions





- ① M22-FK10(01)
- ② M22-(C)K...