

## Datasheet

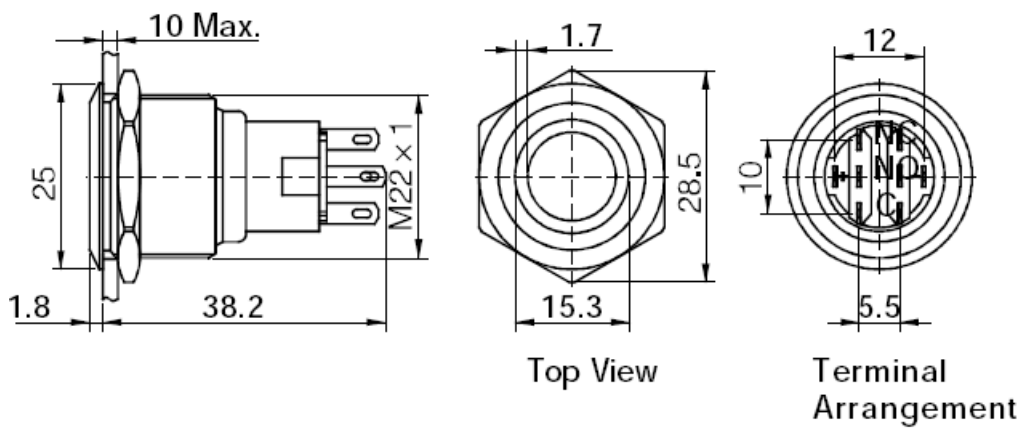
Item no. 1602485

V1\_09062017\_01\_en

# DATASHEET

**Φ22 mm, Push button switch, Ring illuminated,  
Red led 12V, 1NO1NC, Momentary type,  
stainless steel  
BN no. 1602485**

**Version 10/17**



10 MAX: means the panel thickness, the max thickness for the panel no more than 10mm.

## Datasheet

Item no. 1602485

V1\_09062017\_01\_en

Specification .....	GQ22-A-11E/R/12V/S push button switch
Mounting diameter .....	22 mm
Head shape .....	Flat head
Led colour .....	Red
Led voltage .....	12V
Operation type .....	Momentary
Contact structure .....	1NO1NC
Switch rating .....	250VAC / 3 A
Body material .....	Stainless steel
Operating and storage temperature .....	-20 to +55 °C
Operating and storage humidity .....	45 to 85 % RH
Led life .....	40000 hours
Base material .....	PBT
IP rating .....	IP67

This is a publication by Conrad Electronic SE, Klaus-Conrad-Str. 1, D-92240 Hirschau ([www.conrad.com](http://www.conrad.com)).

All rights including translation reserved. Reproduction by any method, e.g. photocopy, microfilming, or the capture in electronic data processing systems require the prior written approval by the editor. Reprinting, also in part, is prohibited. This publication represents the technical status at the time of printing.