

Datasheet

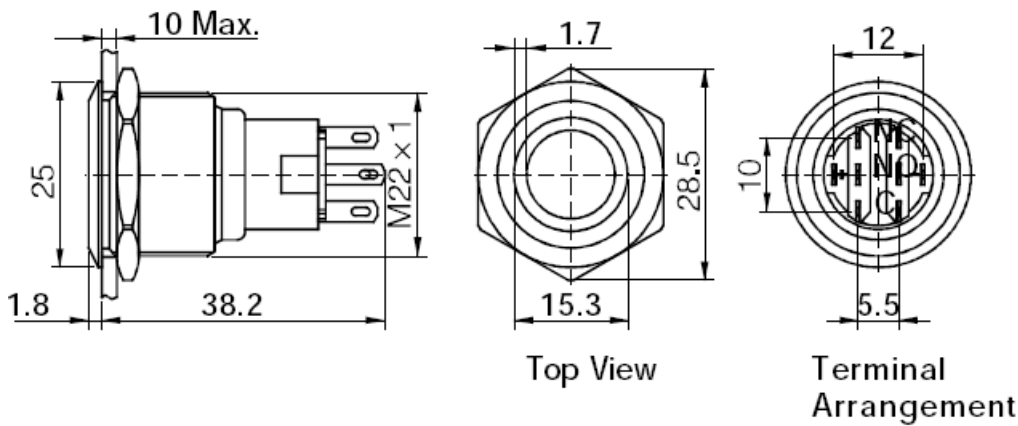
Item no. 1602497

V1_09062017_01_en

DATASHEET

**Φ22 mm, Push button switch, Ring illuminated,
Red led 12V, 2NO2NC, Momentary type,
stainless steel
BN no. 1602497**

Version 10/17



10 MAX: means the panel thickness, the max thickness for the panel no more than 10mm.



Distributed by Conrad Electronic SE • Klaus-Conrad-Str. 1 • D-92240 Hirschau

Datasheet

Item no. 1602497

V1_09062017_01_en

Specification	GQ22-A-22E/R/12V/S push button switch
Mounting diameter	22 mm
Head shape	Flat head
Led colour	Red
Led voltage	12V
Operation type	Momentary
Contact structure	2NO2NC
Switch rating	250VAC / 3 A
Body material	Stainless steel
Operating and storage temperature	-20 to +55 °C
Operating and storage humidity	45 to 85 % RH
Led life	40000 hours
Base material	PBT
IP rating	IP67

This is a publication by Conrad Electronic SE, Klaus-Conrad-Str. 1, D-92240 Hirschau (www.conrad.com).

All rights including translation reserved. Reproduction by any method, e.g. photocopy, microfilming, or the capture in electronic data processing systems require the prior written approval by the editor. Reprinting, also in part, is prohibited. This publication represents the technical status at the time of printing.

© Copyright 2017 by Conrad Electronic SE.