

Datasheet

Item no. 1602510

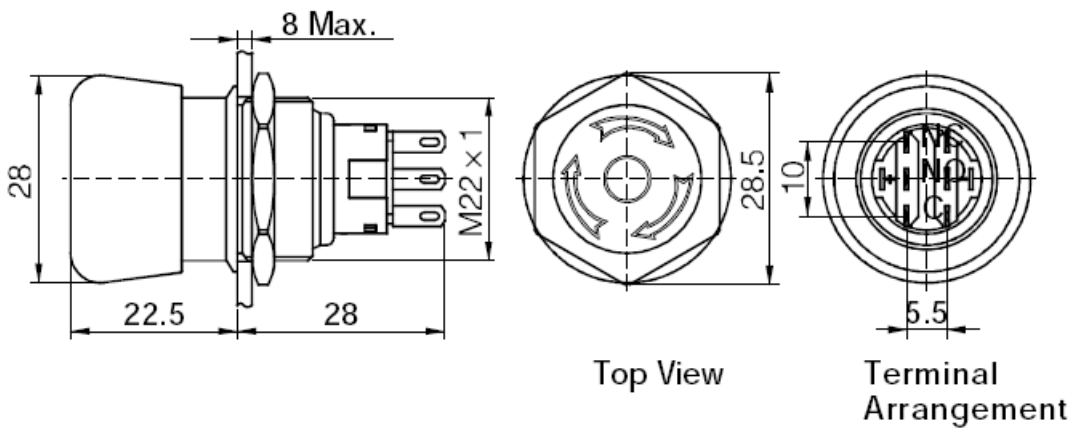
V1_09062017_01_en

DATASHEET

Φ22 mm, Emergency switch, 1NO1NC,

Version 10/17

BN no. 1602510



10 MAX: means the panel thickness, the max thickness for the panel no more than 10mm.

| | |
|---|-------------------------------|
| Specification | GQ22-A-11TSB Emergency switch |
| Mounting diameter | 22 mm |
| Operation type | Push on turn reset |
| Contact structure | 1NO1NC |
| Switch rating | 250VAC / 3 A |
| Body material | Aluminium |
| Operating and storage temperature | -20 to +55 °C |
| Operating and storage humidity | 45 to 85 % RH |
| Base material | PBT |

This is a publication by Conrad Electronic SE, Klaus-Conrad-Str. 1, D-92240 Hirschau (www.conrad.com).

All rights including translation reserved. Reproduction by any method, e.g. photocopy, microfilming, or the capture in electronic data processing systems require the prior written approval by the editor. Reprinting, also in part, is prohibited. This publication represents the technical status at the time of printing.