

Datasheet

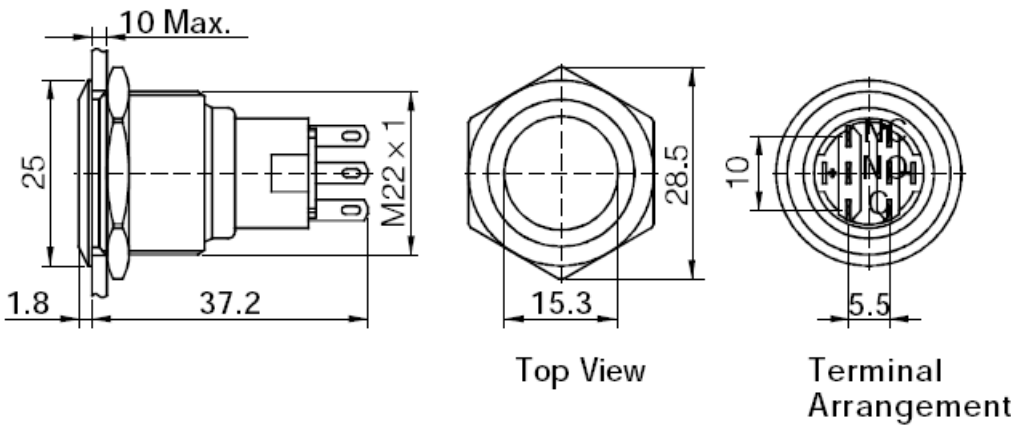
Item no. 1602514

V1_09062017_01_en

DATASHEET

**Ø22 mm, Push button switch,
1NO1NC, Latching type, stainless steel
BN no. 1602514**

Version 10/17



10 MAX: means the panel thickness, the max thickness for the panel no more than 10mm.

Specification	GQ22-A-11Z/S push button switch
Mounting diameter	22 mm
Head shape	Flat head
Operation type	Latching
Contact structure	1NO1NC
Switch rating	250VAC / 3 A
Body material	Stainless steel
Operating and storage temperature	-20 to +55 °C
Operating and storage humidity	45 to 85 % RH
Led life	40000 hours
Base material	PBT
IP rating	IP67

This is a publication by Conrad Electronic SE, Klaus-Conrad-Str. 1, D-92240 Hirschau (www.conrad.com). All rights including translation reserved. Reproduction by any method, e.g. photocopy, microfilming, or the capture in electronic data processing systems require the prior written approval by the editor. Reprinting, also in part, is prohibited. This publication represents the technical status at the time of printing.



Distributed by Conrad Electronic SE • Klaus-Conrad-Str. 1 • D-92240
Hirschau

Datasheet

Item no. 1602514

V1_09062017_01_en

This is a publication by Conrad Electronic SE, Klaus-Conrad-Str. 1, D-92240 Hirschau (www.conrad.com).

All rights including translation reserved. Reproduction by any method, e.g. photocopy, microfilming, or the capture in electronic data processing systems require the prior written approval by the editor. Reprinting, also in part, is prohibited. This publication represents the technical status at the time of printing.

© Copyright 2017 by Conrad Electronic SE.