

# Datasheet

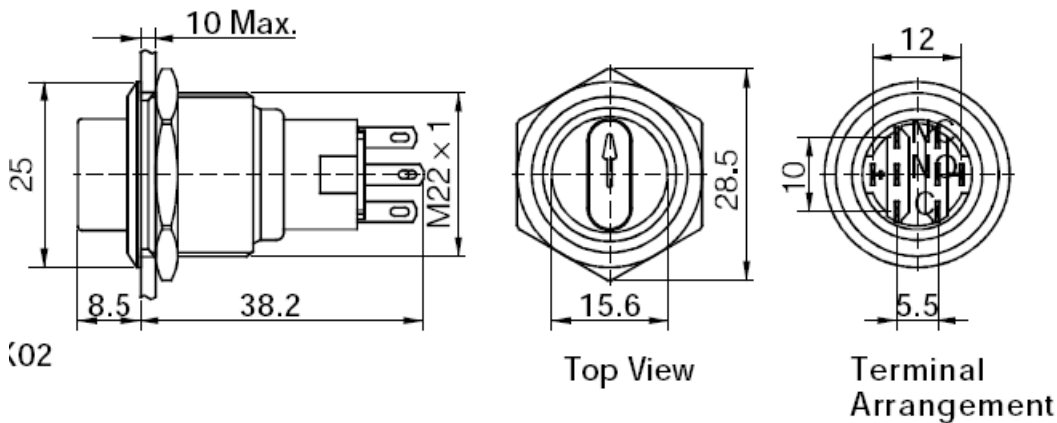
Item no. 1602518

V1\_09062017\_01\_en

## DATASHEET

**Ø22 mm, Selector switch, 3 position maintain,  
2NO2NC, stainless steel  
BN no. 1602518**

**Version 10/17**



10 MAX: means the panel thickness, the max thickness for the panel no more than 10mm.

Specification .....	GQ22-A-22X/31/S Selector switch
Mounting diameter .....	22 mm
Head shape .....	Flat head
Operation type .....	3 position maintain
Contact structure .....	2NO2NC
Switch rating .....	250VAC / 3 A
Body material .....	Stainless steel
Operating and storage temperature .....	-20 to +55 °C
Operating and storage humidity .....	45 to 85 % RH
Led life .....	40000 hours
Base material .....	PBT
IP rating .....	IP67

This is a publication by Conrad Electronic SE, Klaus-Conrad-Str. 1, D-92240 Hirschau (www.conrad.com).

All rights including translation reserved. Reproduction by any method, e.g. photocopy, microfilming, or the capture in electronic data processing systems require the prior written approval by the editor. Reprinting, also in part, is prohibited. This publication represents the technical status at the time of printing.

© Copyright 2017 by Conrad Electronic SE.



Distributed by Conrad Electronic SE • Klaus-Conrad-Str. 1 • D-92240  
Hirschau

## Datasheet

Item no. 1602518

V1\_09062017\_01\_en

This is a publication by Conrad Electronic SE, Klaus-Conrad-Str. 1, D-92240 Hirschau ([www.conrad.com](http://www.conrad.com)).

All rights including translation reserved. Reproduction by any method, e.g. photocopy, microfilming, or the capture in electronic data processing systems require the prior written approval by the editor. Reprinting, also in part, is prohibited. This publication represents the technical status at the time of printing.

© Copyright 2017 by Conrad Electronic SE.