

# Datasheet

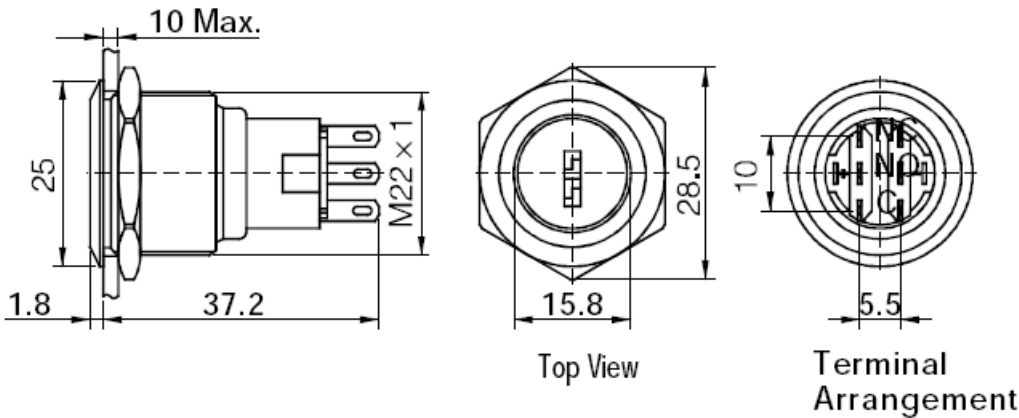
Item no. 1602520

V1\_09062017\_01\_en

## DATASHEET

**Φ22 mm, key switch,  
2NO2NC, 3 position maintain type, stainless steel  
BN no. 1602520**

**Version 10/17**



10 MAX: means the panel thickness, the max thickness for the panel no more than 10mm.

Specification .....	GQ22-A-22Y/31/S key switch
Mounting diameter .....	22 mm
Operation type .....	3 position maintain type
Contact structure .....	2NO2NC
Switch rating .....	250VAC / 3 A
Body material .....	Stainless steel
Operating and storage temperature .....	-20 to +55 °C
Operating and storage humidity .....	45 to 85 % RH
Led life .....	40000 hours
Base material .....	PBT

This is a publication by Conrad Electronic SE, Klaus-Conrad-Str. 1, D-92240 Hirschau (www.conrad.com). All rights including translation reserved. Reproduction by any method, e.g. photocopy, microfilming, or the capture in electronic data processing systems require the prior written approval by the editor. Reprinting, also in part, is prohibited. This publication represents the technical status at the time of printing.