

Operating Instructions
Mercury VR Drone V2.0
 Item No. 1602783

14+
AGE

WHAT'S IN THE BOX

Warnings for safe use of the Mercury VR drone

- Do not turn on the controller unless drone has been turned on first.
- Keep hands, hair and loose clothing away from spinning blades.
- Turn off controller and the drone when not in use.
- Parental guidance is recommended.
- Do not submerge into water. This could damage electronic assemblies.
- Follow operating instructions exactly.
- Not intended for children under 14 years old.
- Replace any damaged or broken parts before attempting to fly.
- Do not drop the drone by suddenly reducing the throttle. This could lead to severe damage.
- The drone's range will also be affected if the battery is not fully charged.
- Do not touch the motors after flying. They can become hot.

The Mercury VR drone is equipped with a rechargeable 7.4V LiPo battery. Please pay attention to the following cautions for safe use:

- Do not dispose of battery into fire or heat.
- Do not use or leave battery near a heat source, such as fire or a heater.
- Do not strike battery or throw it against a hard surface
- Do not pierce battery.
- Do not disassemble or alter battery.
- Turn off power switch & disconnect the battery connector after use.
- Recycle used batteries.



LiPo

Battery Requirements for Transmitter:

Requires: 6 x 1.5V AA size batteries (not included)

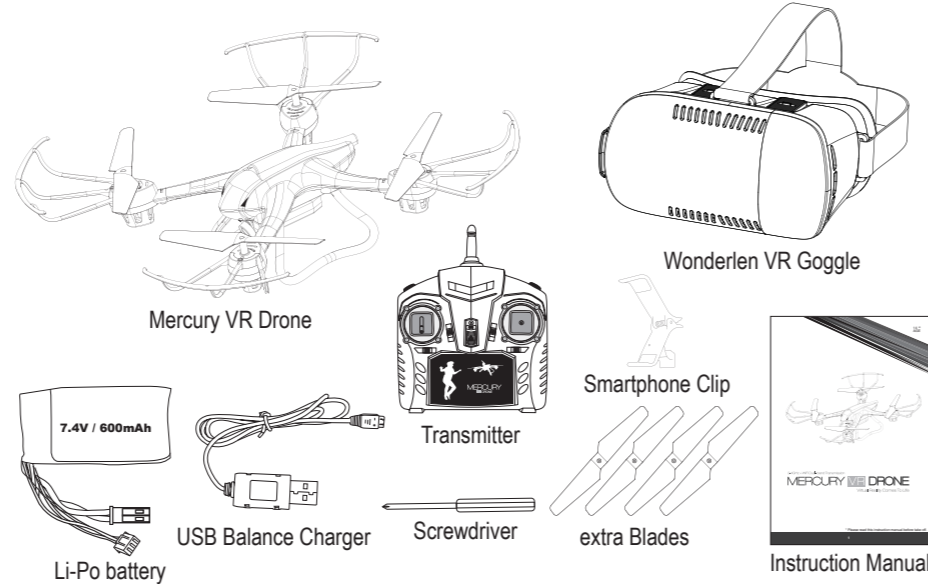
Requirements for USB Charge Cord:

USB Output Jack (not included)

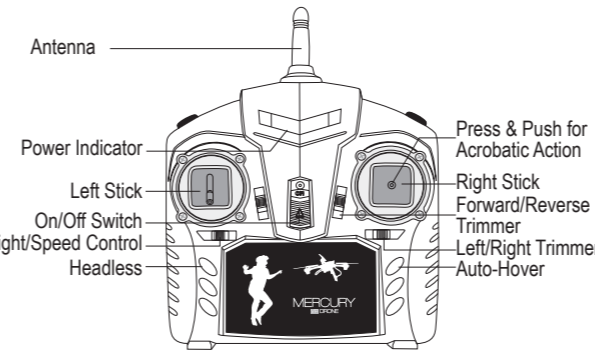
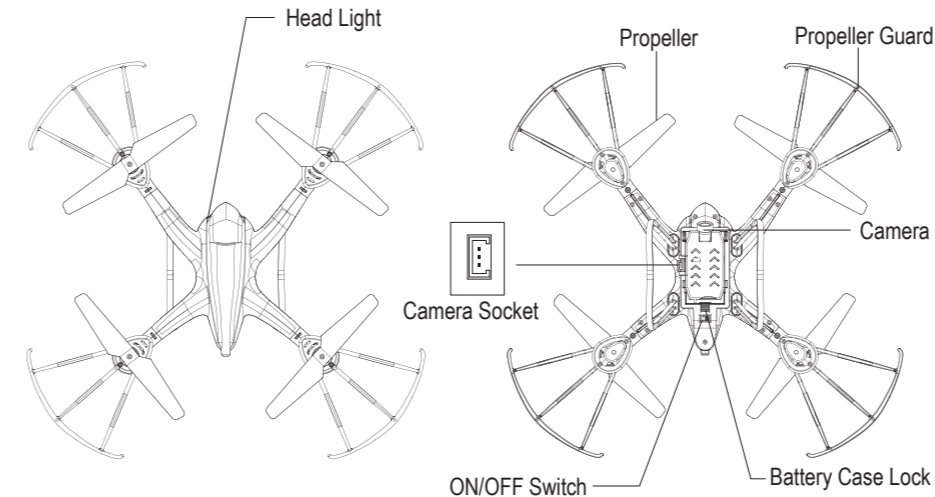
Battery Cautions:

- Parental guidance is recommended when installing batteries.
- Do not power controller by mixing different types of batteries, or old and new batteries.
- Use only batteries of the same or equivalent type as those recommended.

⚠ Do not touch the spinning blades or fly over another person's head. Adult supervision is required.



PRODUCT DIAGRAM

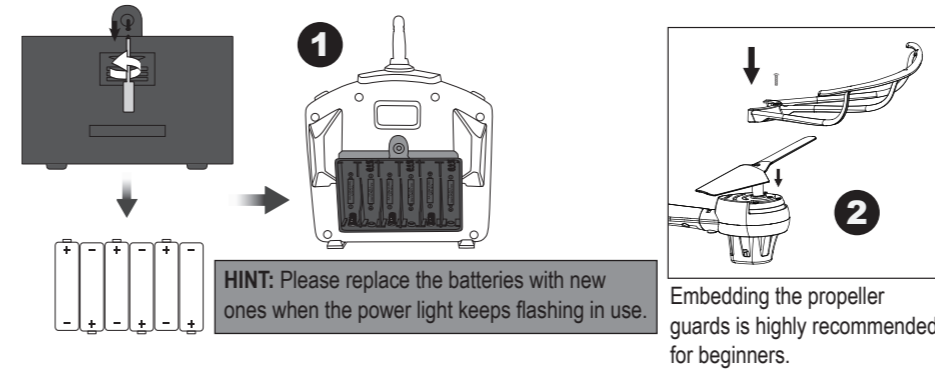


CAUTION: Changes or modifications to this product not expressly approved by the party responsible for compliance may void the user's authority to operate the equipment.

* The fly range is approximately 30-40 meters, playtime is around 10-11 minutes which all depend on the drone and air condition.

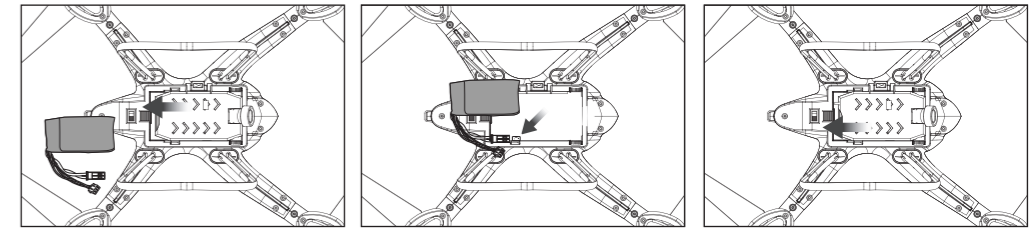
* Push the 'Light/Speed control' button to the left to turn on/off the LED lights or right to change the fly speed. It's slow as default, push the button for FAST with two beeps and EXPERT for three beeps.

GET READY TO FLY



HINT: Please replace the batteries with new ones when the power light keeps flashing in use.

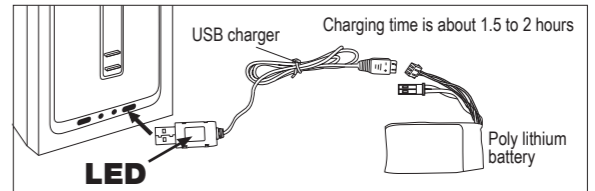
Embedding the propeller guards is highly recommended for beginners.



Press the battery case lock & slide to open the battery case, take out the battery for recharging.

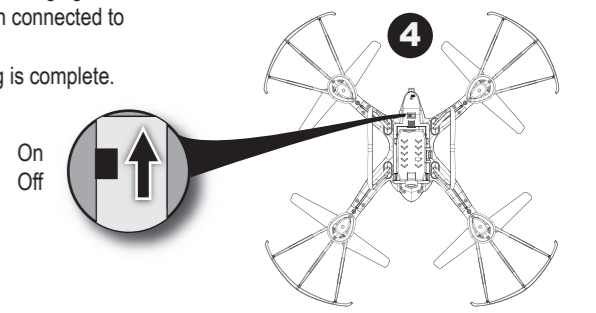
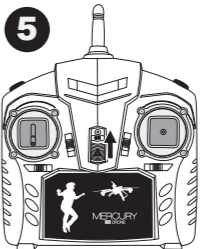
Once the battery is fully recharged, it is required to insert back into the battery case and plug the battery with a RED end into the drone.

Push the handle on the battery case cover to slide to close the cover.



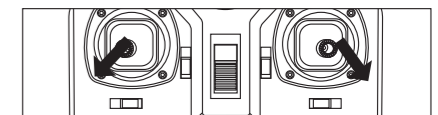
LED
 NEVER leave the Li-Po battery unattended when charging. DO NOT allow the USB port to power down when connected to the Li-Po battery. ALWAYS unplug the Li-Po battery when charging is complete.

Plug the charger into a USB port and the Li-Po battery as shown. (The battery connector will only fit in one way. Do not force the connectors together.) The red LED will light when charging. The red LED will shut off once the charge is complete.



7 DRONE CALIBRATION

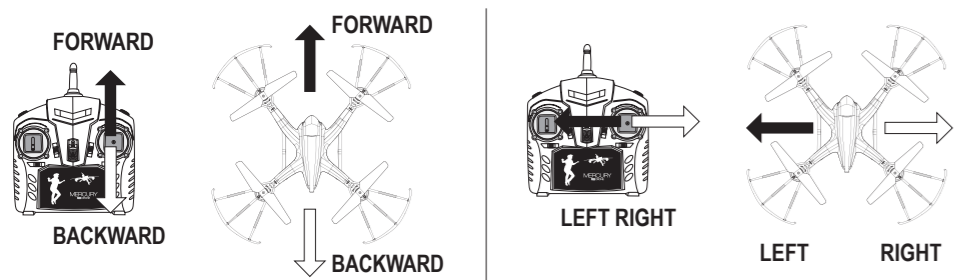
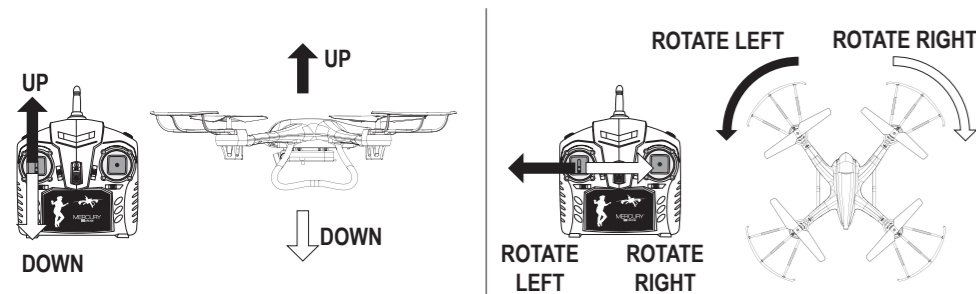
When the drone takes off and tilts slightly, land the Mercury on a level surface, Push the left-hand control stick all the way to the bottom left corner and the right-hand control stick to the right corner and hold both sticks in those positions. The lights on the quadcopter should begin blinking quickly. Hold the sticks in that position for at least 4 seconds. The quadcopter should now be calibrated.



* Please read this instruction manual before take off.

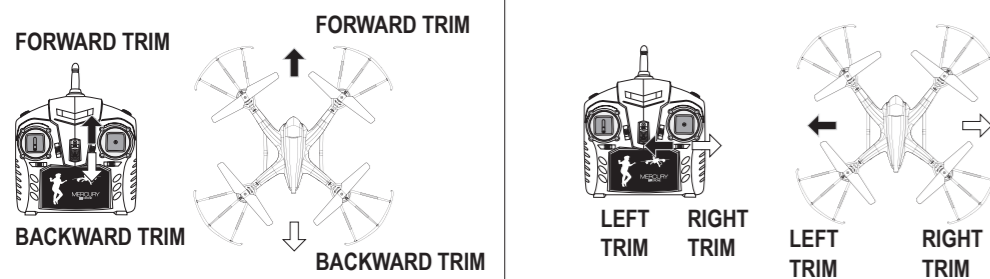
HOW TO FLY

*When the drone is first engaged with the smartphone, there will be no control from regular controller.

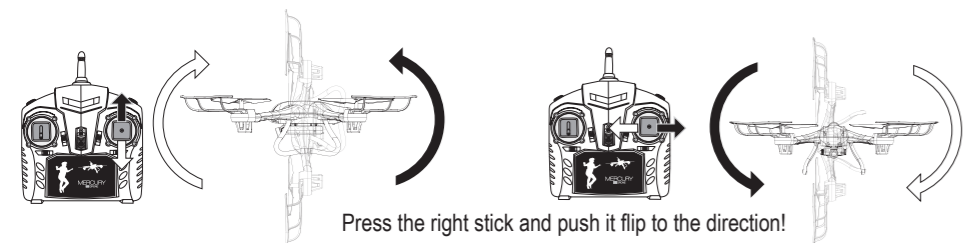


CORRECTING DRIFT

It is normal for the drone to drift slightly. However if it drifts in any direction consistently press the trim button opposite the movement as many times as needed to eliminate the drift.

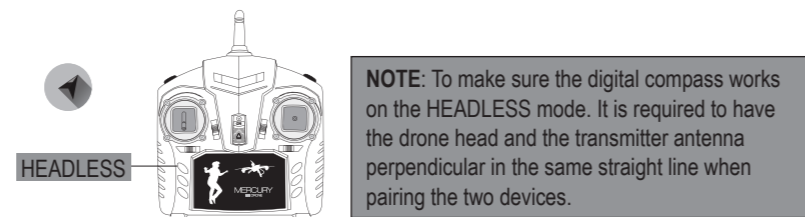


TO FLIP IN THE AIR



HEADLESS MODE

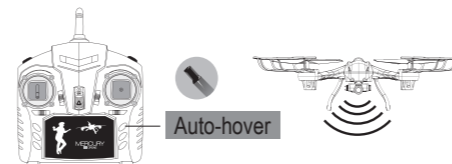
Intended for beginner pilots. For best results, always face toward the drone while flying. Press the headless button to turn on HEADLESS mode. Press again to turn off HEADLESS mode. While in HEADLESS Mode, the path of the drone will always follow control stick input direction relative to the pilot location, regardless of the direction the model is pointing. For proper control ensure that the drone is facing in the same direction as the pilot when engaging HEADLESS mode, failure to do will cause unexpected results.



AUTO-HOVER

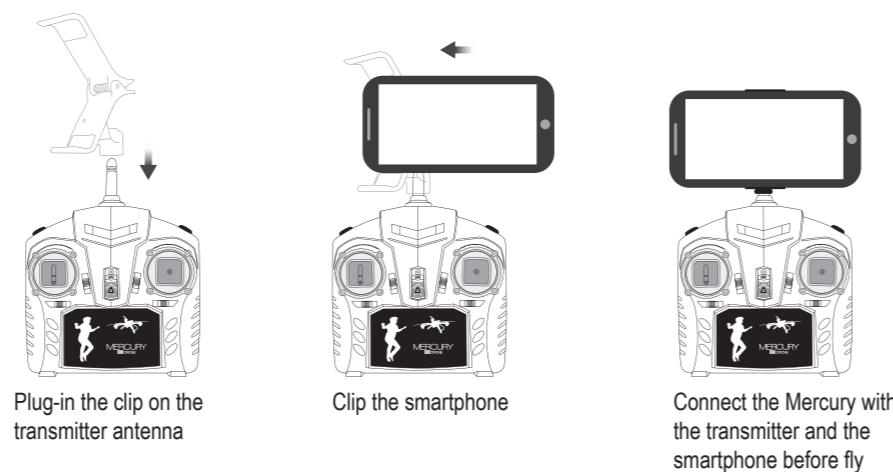
Designed for LIVE stream First Person View - both of controller clip and Wonderlen VR mode. This function requires to set the Mercury VR drone at certain height and press the auto-hover button to hold the altitude.

NOTE: When the drone gets to hold the altitude, it could be slightly drifting around. Please make sure there is enough space for the auto-hover fly tolerance and trim the drone to its best performance.

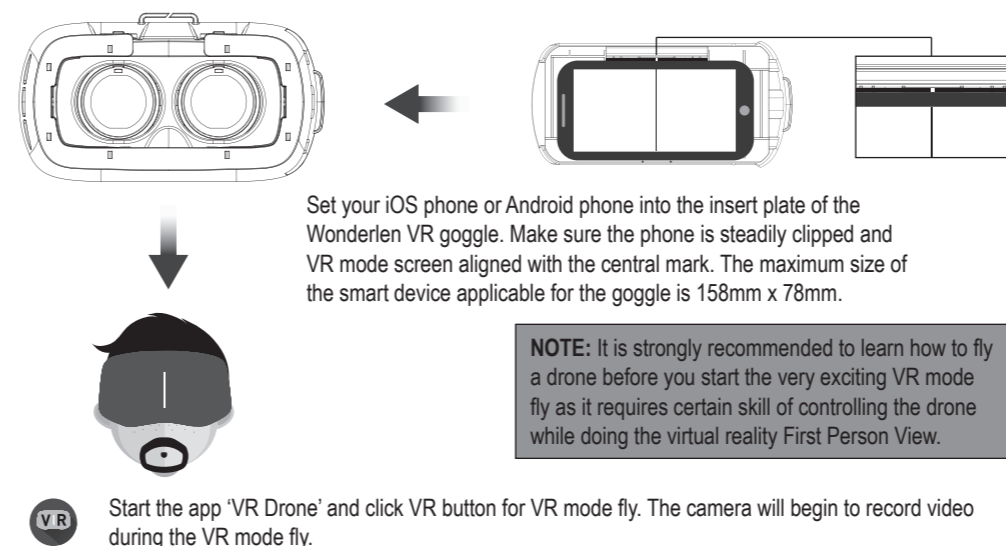


CLIP ON CONTROLLER FPV

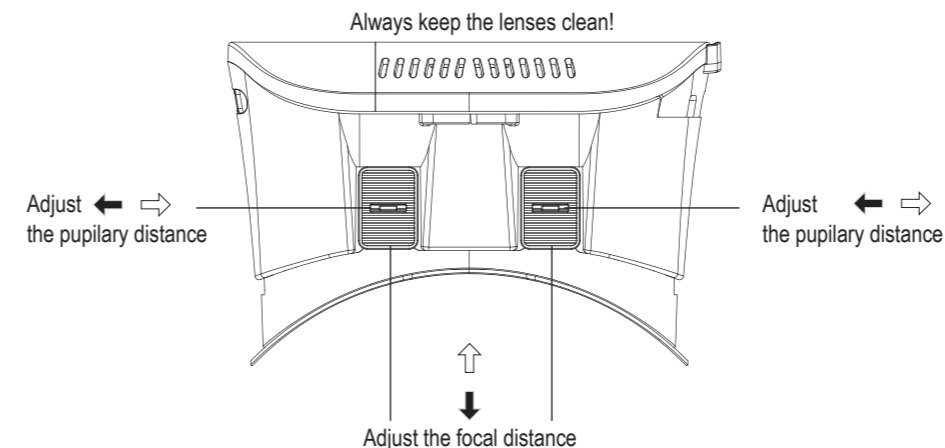
Please use your iOS/Android smartphone & search for the app 'VR Drone' on the iOS app store or Android google play store. Download it, and install it. Read carefully the instruction from the app on how to make the WiFi connection and controllings.



GET TO DO VIRTUAL REALITY

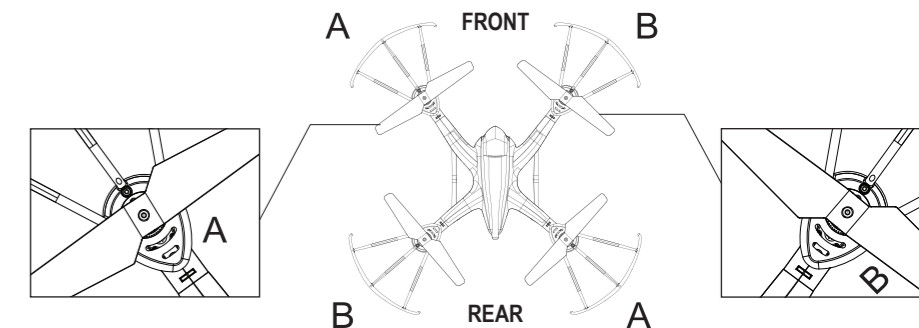


ADJUST THE GOGGLE LENS



NOTE: To have the best performance of the VR view, please adjust the lenses on both of the pupillary and focal distance to the best condition.

REPLACEMENT BLADES



LAND SAFELY

When the battery voltage begins to run low, the four major LEDs will begin to flash very FAST. It is time to land before the built-in low voltage cut-off reduces power to the motors.

TROUBLE SHOOTINGS

- PROBLEM:** Controller cannot be linked to the Mercury VR drone.
SOLUTION: Throttle position needs to be at zero.
- PROBLEM:** Controller LED flashing FAST after binding.
SOLUTION: Replace batteries.
- PROBLEM:** Mercury VR drone's shaking.
SOLUTION: Check if the frames and rotors are damaged.
- PROBLEM:** Will not take off.
SOLUTION: Check that the rotor blades are properly installed.
- PROBLEM:** Can't sync the drone to the smart device.
SOLUTION: Check the app is downloaded, light of the camera module is on, the smart device's Wi-Fi is turned on, the drone is within operating range, power is not low, no interference from other device and the device is compatible with Android 4.0 & later or iOS 6.0 & later.

iPad, iPhone and iPod touch are trademarks of Apple Inc., registered in the U.S. and other countries.
App Store is a service mark of Apple Inc.
Android is a trademark of Google Inc.
Google Play is a trademark of Google Inc.
Wi-Fi and Wi-Fi logo are registered trademarks of the Wi-Fi Alliance.



This is a publication by Conrad Electronic SE, Klaus-Conrad-Str. 1, D-92240 Hirschau (www.conrad.com).
All rights including translation reserved. Reproduction by any method, e.g. photocopy, microfilming, or the capture in electronic data processing systems require the prior written approval by the editor. Reprinting, also in part, is prohibited. This publication represents the technical status at the time of printing.
Copyright 2017 by Conrad Electronic SE. 1602783_manual_V1_EN