

Enclosures can be Factory Modified (Milling, Drilling, Printing etc.)
 Contact Factory mjm@hammondmfg.com for quotes
 Solid models of this enclosure available in STEP or IGES.
 (Part number and text placement/orientation on our products are subject to change,
 we do not recommend using them as a locating reference for modification purposes)

NOTE

Purchased assembly includes box, lid, 2 cover screws.
 Enclosure molded from general purpose ABS Plastic.
 Other materials / colours available consult factory.

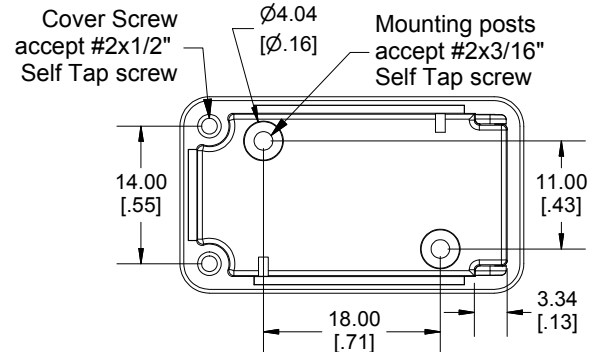
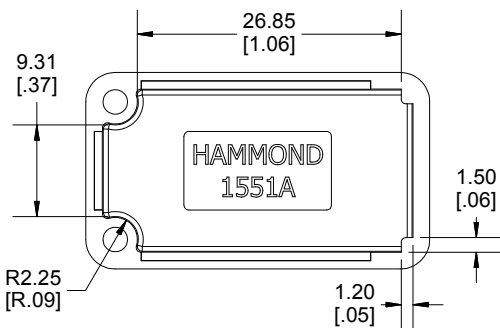
Recommended Torque : (35-43) Ozf.in / (25-30) cN.m

PART NUMBERS

1551A Enclosure	
Black Enclosure - Ral 9011 - UL94 - HB	1551ABK
Gray Enclosure - RAL 7035 - UL94 - HB	1551AGY
Translucent Blue - UL94 - HB	1551ATBU
Translucent Clear - UL94 - HB	1551ACL
Translucent Smoke - UL94 - HB	1551ATSK
Translucent Red - UL94 - HB	1551ATRD

ACCESSORIES

P.C. Board Plastite Self Tapping Screw [#2 x 3/16" self-tapping (4.8mm)]	1553WTS100 (Pkg 100)
Black Cover Screws #2 X 1/2" Self-tapping	1551USB50BK (Pkg 50)
P.C. Board Screws [#2 x 3/16" self-tapping (4.8mm)]	1551ATS50 (Pkg 50) 1551ATS100 (Pkg 100)



Dimensions:
 mm
 [inches]

