

Datasheet

Item no. 1604086-90 1604092-97

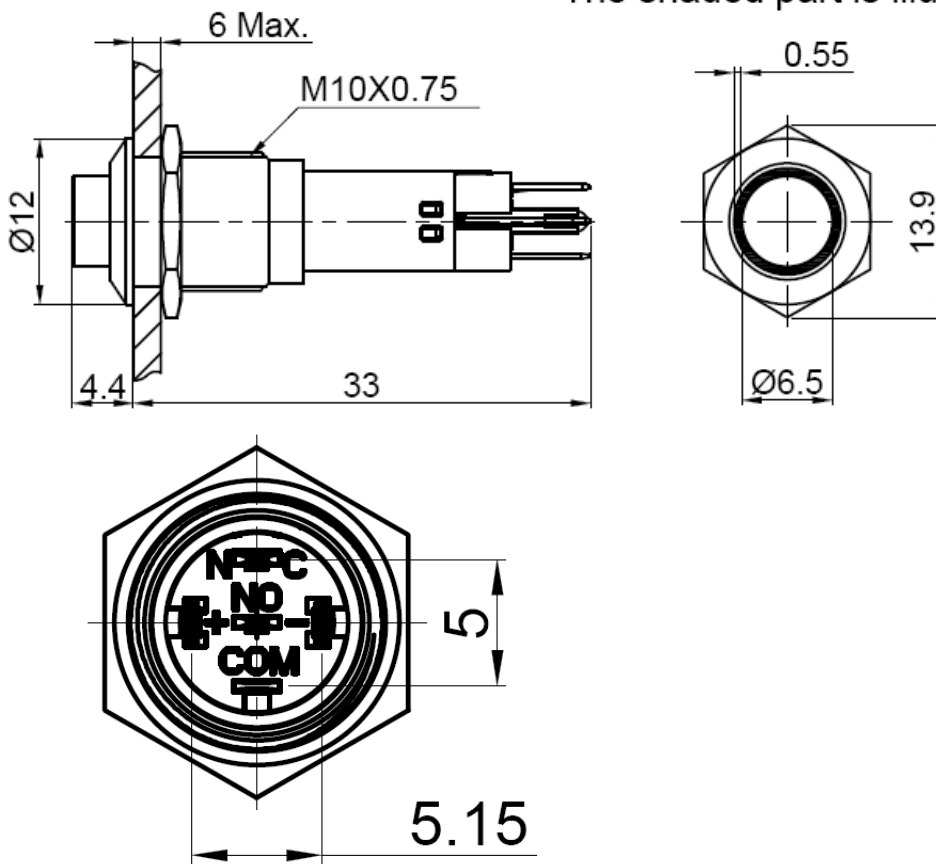
V1_09062017_01_en

DATASHEET

Push button switch

Version 08/21

The shaded part is illuminated



Mounting diameter	10 mm
Head shape	High round head
Operation type	Momentary / Latching
Contact structure	1NO1NC
Switch rating	48V / 2 A
Illumination type	Ring
Body material	Stainless steel
Operating and storage temperature	-20 to +55 °C
Operating and storage humidity	45 to 85 % RH
Base material	PA

Datasheet

Item no. 1604086-90 1604092-97

V1_09062017_01_en

DATASHEET

IP rating IP40

Item no.	Operation type	LED color	LED voltage
1604086	momentary	Blue	12 V
1604089	momentary	Blue	24 V
1604080	momentary	Green	12 V
1604088	momentary	Green	24 V
1604085	momentary	Red	12 V
1604087	momentary	Red	24 V
1604081	momentary	White	12 V
1604090	momentary	White	24 V
1604092	latching	Blue	12 V
1604096	latching	Blue	24 V
1604083	latching	Green	12 V
1604095	latching	Green	24 V
1604082	latching	Red	12 V
1604094	latching	Red	24 V
1604093	latching	White	12 V
1604097	latching	White	24 V



This data sheet is a publication by Conrad Electronic SE, Klaus-Conrad-Str. 1, D-92240 Hirschau (www.conrad.com). All rights including translation reserved. Reproduction by any method, e.g. photocopy, microfilming, or the capture in electronic data processing systems require the prior written approval by the editor. Reprinting, also in part, is prohibited. This data represent the technical status at the time of printing. Changes in technology and equipment reserved.

© Copyright 2018 by Conrad Electronic SE.