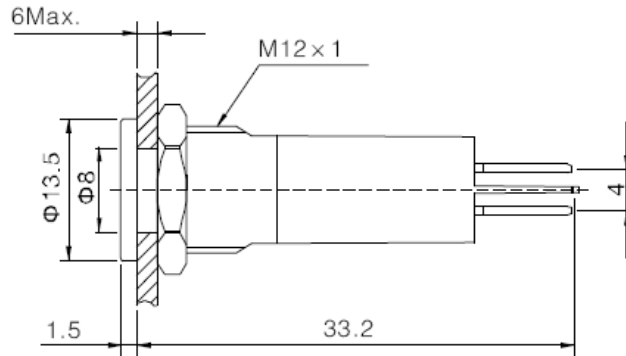


Datasheet

Item no. 1605981 – Red 1605982 – Green
 1605983 – Blue 1605984 – White

V1_11172017_01_en



6 MAX: means the panel thickness, the max thickness for the panel no more than 6mm.

LED Indicator

Mounting Diameter	:12 mm
LED colour	:b/n 1605981 – Red b/n 1605982 – Green b/n 1605983 – Blue b/n 1605984 – White
LED Voltage	:12V AC/ DC
Forward Current	:25 mA
Forward Voltage	:2.1 V – Red 3.1 V – Green/ Blue/ White
Light Intensity	:b/n 1605981 – 60 mcd b/n 1605982 – 200 mcd b/n 1605983 – 60 mcd b/n 1605984 – 350 mcd
Head Shape	:Flat
Body Material	:Stainless Steel
Base Material	:PA
LED Life	:40,000 hours
Operating & Storage Temperature	:-20°C to 55°C
Operating & Storage Humidity	:45 -85% RH