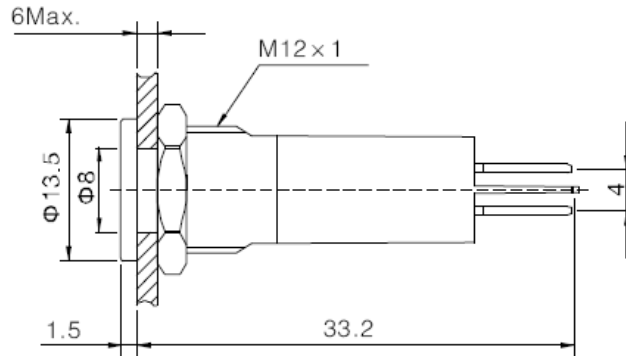


## Datasheet

Item no. 1605985 – Red      1605986 – Green  
 1605987 – Blue          1605988 – White

V1\_11172017\_01\_en



6 MAX: means the panel thickness, the max thickness for the panel no more than 6mm.

### LED Indicator

Mounting Diameter	:12 mm
LED colour	:b/n 1605985 – Red b/n 1605986 – Green b/n 1605987 – Blue b/n 1605988 – White
LED Voltage	:24V AC/ DC
Forward Current	:25 mA
Forward Voltage	:2.1 V – Red 3.1 V – Green/ Blue/ White
Light Intensity	:b/n 1605981 – 60 mcd b/n 1605982 – 200 mcd b/n 1605983 – 60 mcd b/n 1605984 – 350 mcd
Head Shape	:Flat
Body Material	:Stainless Steel
Base Material	:PA
LED Life	:40,000 hours
Operating & Storage Temperature	:-20°C to 55°C
Operating & Storage Humidity	:45 -85% RH