

Features

- Compliance to Lighting and LED Equipment Regulations
- IP67 for indoor and outdoor installation
- MM Marking for Furniture Installation
- Suitable for LED Lighting and Street Lighting
- 1 Year Warranty

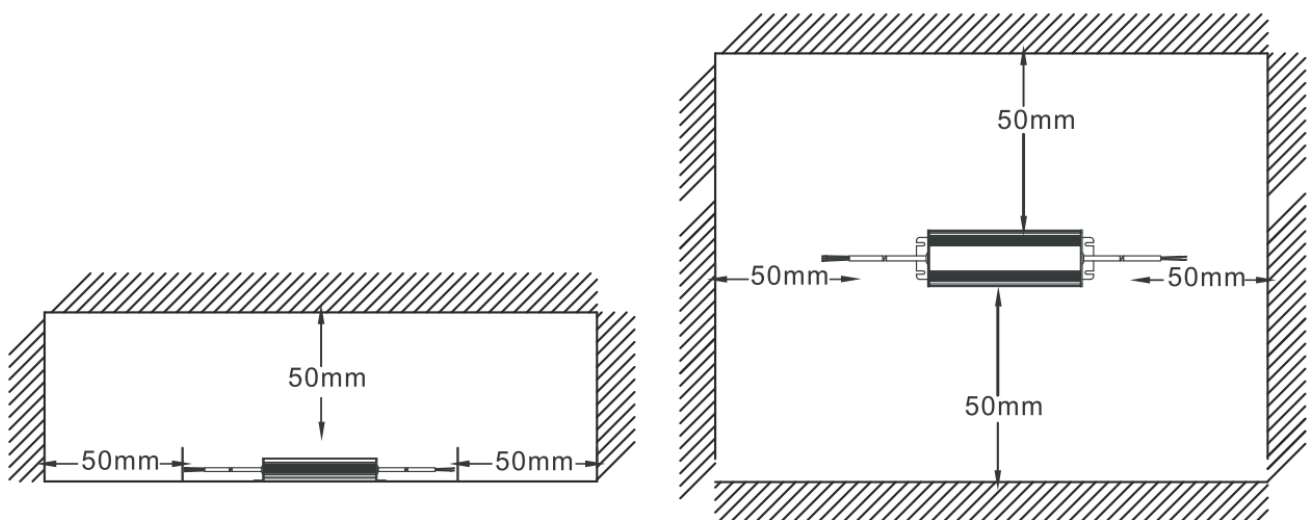
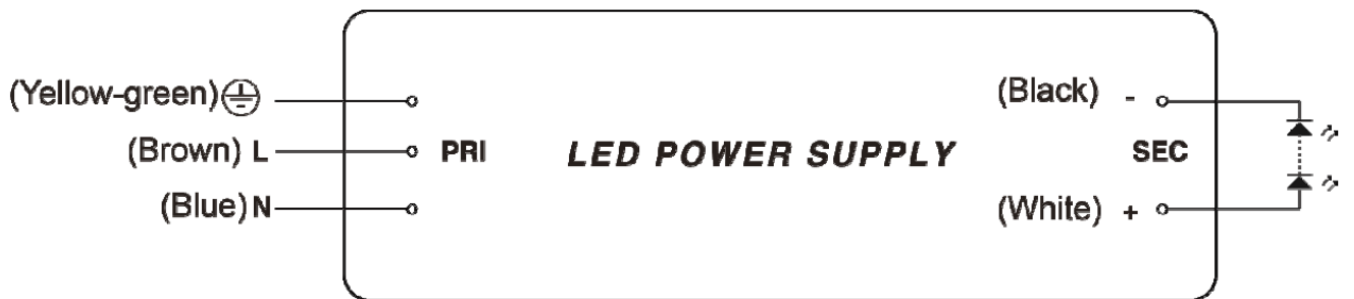
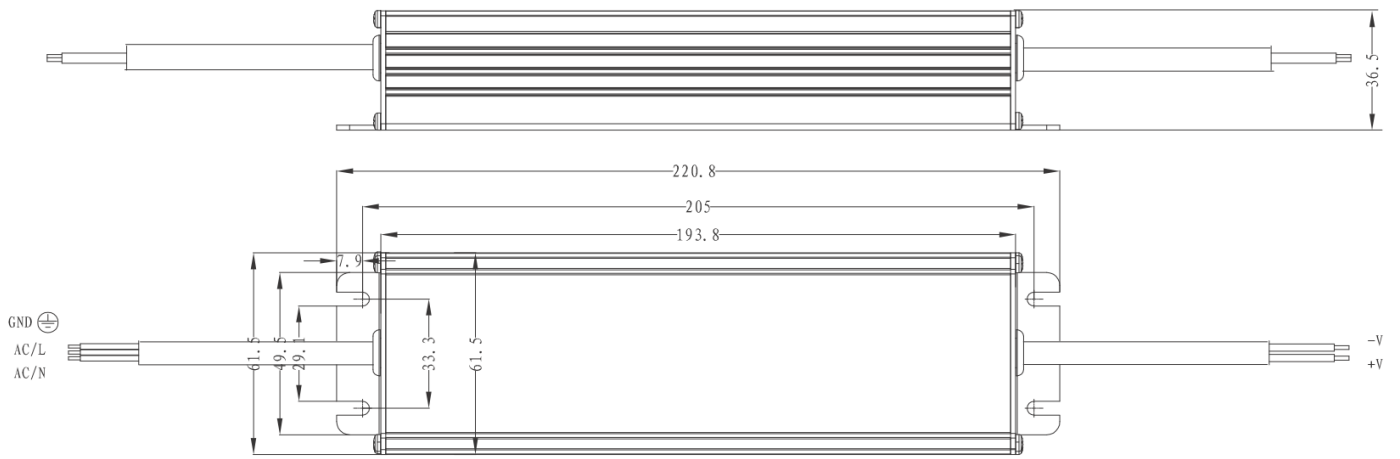
Marks / Approvals



Specifications

Image similar, variations possible

| MODEL No. | PART No. | Voltage | Min. Load | Max. Load | Max. Power | Ripple & Noise |
|------------------------|---|---|-----------|-----------|------------|----------------|
| LED 12V200W-MM-IP67-EU | SPE200-12VLP | 12 V | 0.00 A | 16.7 A | 200 W | 200 mV p-p |
| LED 24V200W-MM-IP67-EU | SPE200-24VLP | 24 V | 0.00 A | 8.33 A | 200 W | 300 mV p-p |
| INPUT | Voltage | AC 200 V – 277 V | | | | |
| | Frequency | 50 Hz - 60 Hz | | | | |
| | Current (rms max) | < 2.3 A | | | | |
| | Power Factor | ≥ 0.9 | | | | |
| PROTECTION | Overload | Yes, Auto Recovery | | | | |
| | Overvoltage | Yes, Latch Off | | | | |
| | Short Circuit | Yes, Auto Recovery | | | | |
| | Over Temperature | Yes, temperature exceeding max. value at detection point | | | | |
| | Inrush Current | < 75 A | | | | |
| OTHERS | Cooling | Convection Cooling | | | | |
| | Efficiency | ≥ 90 % | | | | |
| | Startup Time | < 0.5 s | | | | |
| | Protection Marking | IP67 (IEC 60529) | | | | |
| | Working Noise | < 35 dB, pickup at 10 cm | | | | |
| | Protection Class | Class I | | | | |
| | Case Material | Al | | | | |
| Environment | Temperature | Operating: -40 °C to 60 °C / Max. Case Temperature: 90 °C | | | | |
| | Humidity | Operating: 45 % RH to 95 % RH | | | | |
| Lifetime | 50 000 hrs at max. Ta, rated input voltage, output max. rated power | | | | | |
| SAFETY | IEC / EN 61347-1, IEC / EN 61347-2-13 | | | | | |
| EMI | Compliance to EN 55015 | | | | | |
| EMS | EN 61000-4-2, -3, -4, -5, -6, EN 61547 | | | | | |
| Harmonic | EN 61000-3-2 Class C | | | | | |
| Case Dimensions | 220.8 mm × 61.5 mm × 36.5 mm | | | | | |



Mounting Location Dimension