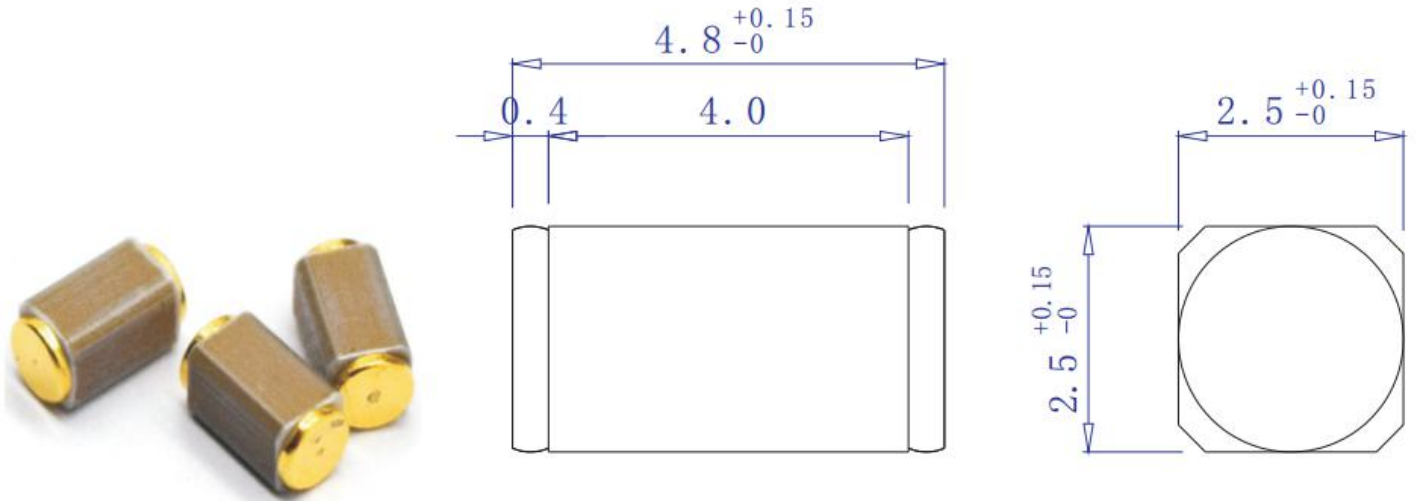


Unit = mm



Vibration sensor can Omni Sensing the vibration and tilt

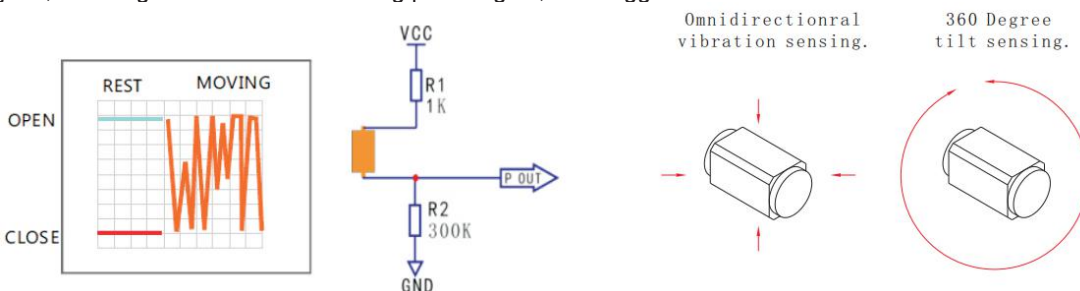
Voltage:	<6V
Current:	<20mA
Conductive time:	About 2ms
Closed resistance:	<30 ohm
Open resistance:	>10M ohm
Temperature range:	-40 to 80°C
Pull force of terminal:	500gf for 1 minute
Humidity:	95% RH, 40°C for 96 hours
Operating lifespan:	50000 hours

Function:

- 1.Motion detecting
- 2.Wake up function

Features:

This product is a mechanical vibration sensor, the product at any azimuth angle trigger is in the ON or OFF state, When the product be shaken, the internal parts jitter, resulting in ON / OFF alternating pulse signal, thus trigger the circuit.



This is a publication by Conrad Electronic SE, Klaus-Conrad-Str. 1, D-92240 Hirschau (www.conrad.com).

All rights including translation reserved. Reproduction by any method, e.g. photocopy, microfilming, or the capture in electronic data processing systems require the prior written approval by the editor. Reprinting, also in part, is prohibited. This publication represents the technical status at the time of printing.