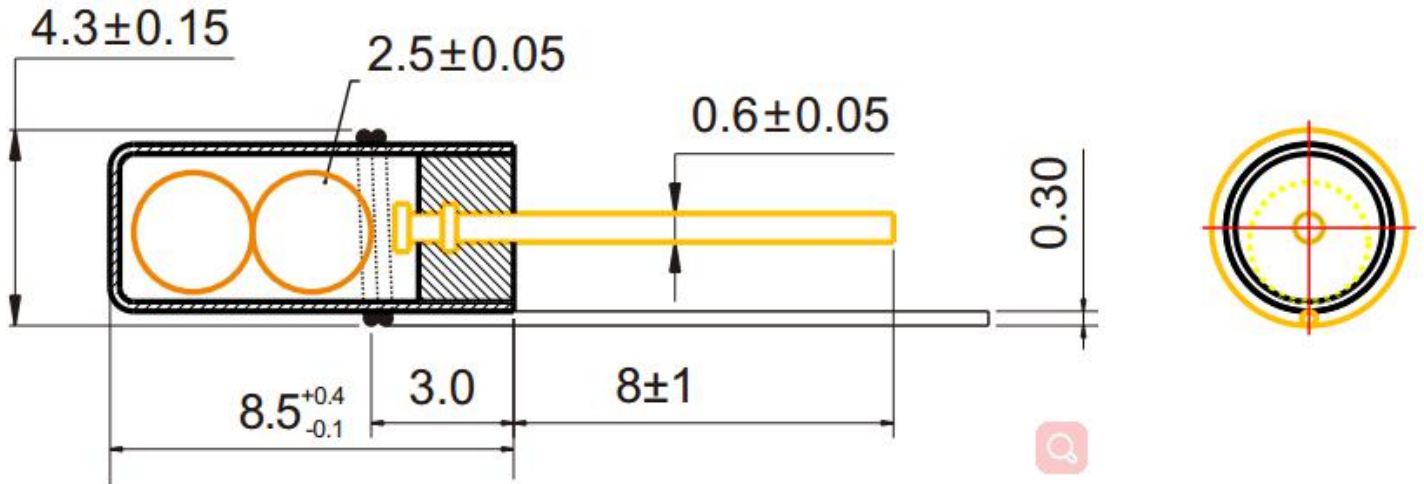


Unit = mm



Roll ball type tilt switch

| | |
|-------------------------|---------------------------|
| Voltage: | <12V |
| Current: | <20mA |
| Conductive time: | About 2ms |
| Closed resistance: | <10 ohm |
| Open resistance: | >10M ohm |
| Temperature range: | -40 to 80°C |
| Pull force of terminal: | 500gf for 1 minute |
| Humidity: | 95% RH, 40°C for 96 hours |
| Operating lifespan: | above 200000 circle |

Features:

When the product tilt to Conductive terminal (A) more than 15°, is open circuit OFF-state, when trigger end (gold-plated pin end C) below the horizontal gradient greater than 15° angle, is closed circuit ON-state.

