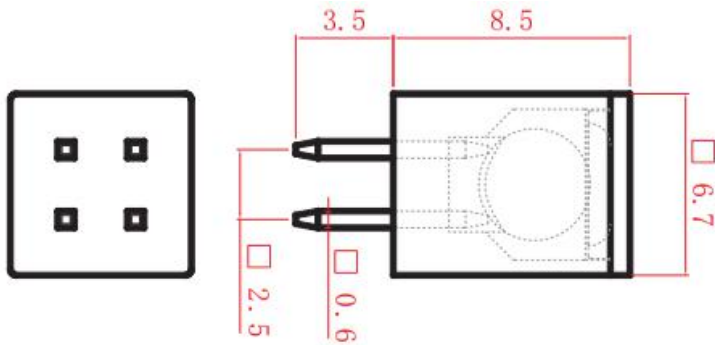


Unit = mm



Roll ball type tilt trigger switch

Voltage:	1.5-12V
Current:	<20mA
Conductive time:	About 2ms
Closed resistance:	<10 ohm
Open resistance:	>10M ohm
Temperature range:	-40 to 80°C
Pull force of terminal:	500gf for 1 minute
Humidity:	95% RH, 40°C for 96 hours
Operating lifespan:	100000 cycles

Function:

1. Horizontal tilt anti-fall detecting.
2. Vertical flip anti-fall detecting.

Features:

when the product is upright, two pairs of parallel feet connected;
 when the product is tilted in either direction and more than 45 ± 10 degrees, the switch is OFF.

