

ELECTRICAL ENCLOSURES

Economy Range

- A range of 1, 2 and 3 button enclosures
- Available in standard and compact versions
- All are IP65 rated
- Flame retardant ABS
- Available in Yellow and Grey as standard
- Can be supplied with or without internal DIN rail
- Moulded for 22mm control switches



SPECIFICATION

Material	ABS
Protection class	IP65
Rated temperature	Operating -25° to +55°
Standard colours	Box & lid Grey Lid Yellow



DIN Rail version

Single Button

TYPE NO.	DIN RAIL VERSION	LID COLOUR	LENGTH	WIDTH	HEIGHT	KNOCKOUTS
CBCSC1GY	CBCSC1DGY	Grey	76mm	69mm	54mm	3
CBCSC1YW	CBCSC1DYW	Yellow	76mm	69mm	54mm	3
CBCSS1GY	CBCSS1DGY	Grey	75.5mm	71mm	65.5mm	3
CBCSS1YW	CBCSS1DYW	Yellow	75.5mm	71mm	65.5mm	3



Two Button

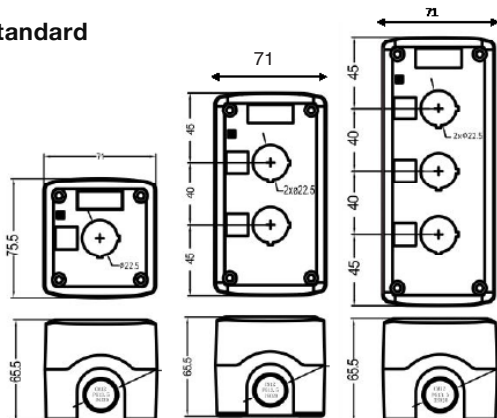
TYPE NO.	DIN RAIL VERSION	LID COLOUR	LENGTH	WIDTH	HEIGHT	KNOCKOUTS
CBCSC2GY	CBCSC2DGY	Grey	105mm	69mm	54mm	4
CBCSC2YW	CBCSC2DYW	Yellow	105mm	69mm	54mm	4
CBCSS2GY	CBCSS2DGY	Grey	130mm	71mm	65.5mm	4
CBCSS2YW	CBCSS2DYW	Yellow	130mm	71mm	65.5mm	4

Three Button

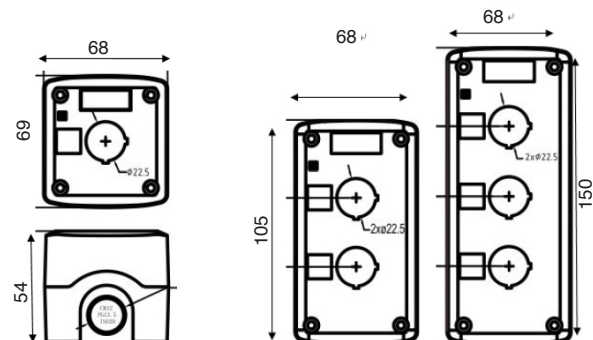
TYPE NO.	DIN RAIL VERSION	LID COLOUR	LENGTH	WIDTH	HEIGHT	KNOCKOUTS
CBCSC3GY	CBCSC3DGY	Grey	150mm	69mm	54mm	4
CBCSC3YW	CBCSC3DYW	Yellow	150mm	69mm	54mm	4
CBCSS3GY	CBCSS3DGY	Grey	170mm	71mm	65.5mm	4
CBCSS3YW	CBCSS3DYW	Yellow	170mm	71mm	65.5mm	4



Standard



Compact



UNIVERSAL ENCLOSURES

HAND HELD CASES

HEAVY DUTY ENCLOSURES

DIN RAIL ENCLOSURES

INTERFACE SUPPORTS

ELECTRICAL ENCLOSURES

DIECAST & METAL ENCLOSURES

DESKTOP & INSTRUMENT CASES

MULTI-PURPOSE & POTTING BOXES

19" ENCLOSURES

19" CABINETS

DEVELOPMENT BOARD ENCLOSURES

CUSTOM SIZED ENCLOSURES

FSPT/ CUSTOM SERVICES