

BELLCOME

TL Touch Line



VIDEO DOOR PHONE KIT 3.5"/7"
1 Fam./2 Fam./ 3 Fam.
User manual

EN



INSTALLATION INSTRUCTIONS – TL VIDEO DOOR PHONE KIT

Thank you for choosing the BELLCOME products. We will assist you throughout the entire warranty period.
For technical support and assistance you can contact us at ELECTRA Building Communications GmbH ☎ +43 1 810 20 99, support@bellcome.com.

KIT INSTALLATION. Follow the steps below, in the described order.

- **STEP 1.** Read the diagrams in this brochure and the technical manuals of the KIT (**VPA, VTx, SCU**).
- **STEP 2.** Make the electrical connections to the terminals (**ATM, VTM, VTA**) and then to the **VPA** outdoor panel.
- **STEP 3.** Make the electrical connections of the **LC, LA** or **LS** lock to the terminals of the **SCU** central supply and command unit and, if necessary, the connections to: the **EXIT** button; **AUX** additional installations; **BAT**; **Vcam** analog video camera.
- **STEP 4. AUTHORIZED PERSONNEL!!! READ THE SAFETY INSTRUCTIONS FROM THE MANUAL OF THE SCU CENTRAL SUPPLY UNIT!!!** → **DISCONNECT** the fuses and make the **L, N, PE** connections to the **SCU** → **CONNECT** the fuses to the power network. The **S2** LEDs turn on, and **S1** turns on only if the battery (12V/7Ah) is connected.
- **STEP 5.1. PROGRAMMING THE MAIN ENTRANCE PANEL: RFID CARDS/TAGS** → At the **SCU**, long press (2-3 sec.) the **PROG** button (point 5). The **PROG** Red LED turns on → Go to the **VPA** panel from the main entrance and touch each **RFID CARD** to the (●) (RFID) area for one second. For each programmed **RFID CARD/TAG**, the panel issues two beeps. Follow the same steps for programming all the **RFID CARDS/TAGS**, for all the residents of the building. Return to the **SCU** and short press the **PROG** button. The Red LED turns off. The main panel keeps **address 1**, which is set from the factory and is ready to function.
- **STEP 5.2. PROGRAMMING THE ADDITIONAL PANEL: NEW ADDRESS and RFID CARDS/TAGS.** If the access in the building is made through two entrances, the **VPA2** additional panel (point 10) from entrance 2 must be set up with **address 2**. At **SCU 2** long press the **PROG** button. The **PROG** Red LED turns on. → At the **VPA2** panel, long touch the **Fam.1** key, then short touch the **Fam.1** key, twice. The panel confirms the storage of **address 2** with two short beeps. Continue programming the **CARDS/TAGS** in the **VPA2** panel. → Each touch of the **CARD/TAG** to the (●) area is confirmed by the **VPA2** with two beeps. → Return to the **SCU2** and short press the **PROG** button. The Red LED turns off. The **VPA2** and **VPA1** panels are ready to function, with all the terminals in the building.
- **STEP 6.1 PROGRAMMING THE ADDRESS OF THE Fam.1 TERMINAL.** The terminals keep **Address 1**, which is set by the manufacturer.
- **STEP 6.2 PROGRAMMING THE ADDRESS OF THE Fam.2, Fam.3 or more TERMINALS.** The terminals for **Family 2** will have **address 2**, the terminals for **Family 3** will have **address 3** and so on for **4, 5** etc.
- Program the new addresses as follows: → At **SCU 1** long press (2-3 sec.) the **PROG** button. The **PROG** Red LED turns on → At the terminals for **Family 2**, long touch the **Fam.2** key. The terminal confirms with one long beep. Short touch the **Fam.2** key twice. Two short beeps are issued. The terminal stores **address 2**. Continue programming **address 3** at **Family 3** following the same steps. Long touch the **Fam.3** key and after the long beep, short touch the **Fam.3** key three times. Storage is confirmed with three short beeps. The terminals are ready to function.

RECOMMENDED CABLES (point 1) Maintain the same wire colors for the same connections.

- 1) **Max. 75 ml** → 4 x 0.5 mm² (H03VV-F4G 0.5) 3) **Max. 250 ml** → UTP cat5e (AWG24) or UTP cat6e (AWG23)
- 2) **Max. 150 ml** → 4 x 0.75 mm² (H05VV-F4G 0.75)

Out of electrical safety reasons, we recommend installing a grounding cable (minimum 1.00 mm – Green/Yellow) from the **PE** panel (VPM) to the **PE** central unit (SCU).

DETAILED PRODUCT CODES

- **VPA - advanced video outdoor panel**; Product codes: **Video 1Fam.VPA.1S(F)R02.xxy04**; **2Fam.VPA.2S(F)R02.xxy04**; **3Fam.VPA.3S(F)R02.xxy04**; **5Fam.VPA.5S(F)R02.xxy04** (S= Surface mounting, F= Flush mounting, R= RFID CARD/TAG access)
- **RFID access CARD/TAG** (secured at reading and copying). They are stored and can be deleted from the VPM.
- **ATM - smart+ audio terminal**; Product code: **ATM.OS402.xxy04**
- **VTM - smart+ 3.5" video terminal**; Product code: **VTM.3S402.xxy04**
- **VTM/VTA - smart+/advanced 7" video terminal**; Product codes: **VTM.7S402.xxy04**/ **VTA.7S902.xxy04**
- **VCB – Video connection box** (1 video input/4 video outputs - 4 Fam.); Product code: **VCB.4DN02.xxy04**

- **VSU – Video selection box**; Product code: VSB.4DN02.xxy04 (4 video inputs/1 video output)
- **SCU – Central supply unit for 1 Fam**; Product code: SCU.VDR02.xxy14 (110-230Vc.a., 50Hz/13.5Vd.c.-2Ad.c.).
Central supply unit for 3 Fam; Product code: SCU.VDR02.xxy34
- **PSU – Additional supply unit**; Product code: PSU.VDR02.xxy04, necessary when, due to various reasons, the supply voltage (+U, GND) at the hubs of the terminals drops below 12V. See the user manual of the SCU central supply unit.
- **Vcam – Additional video camera connection**, analogic 1Vv-v, PAL
- **LC1/LC2 – Connection of direct current lock (max.0.6A/12Vd.c.)** Door locked: Ulock = 0Vc.c./indefinite time. Door open: Ulock = 12Vd.c./max. 0,75Ac.c./max. 10 sec.
- **LA1/LA2 – Connection of alternating current lock (max.5A/12Va.c.)** Door locked: Ulock = 0Va.c./indefinite time. Door open: Ulock = 12Va.c./24Va.c./max. 5,0Aa.c./max. 10 sec. (point 2, pg. 15)
- **LS1/LS2 – Connection of electromagnetic lock (max.3A/24Vc.c.)** Door locked: Ulock = 12Vd.c./24Vd.c./max. 3,0Ad.c./indefinite time. Door open: Ulock = 0Vd.c./max. 10 sec. (point 3)
- **SWC1/SWC2 – Connection of EXIT button** (mounted inside the building)
- **AUX1/AUX2 – Connection of additional installations** – auto gate, garage door, outdoor lighting etc. (point 4)
- **+ BAT/- BAT – Connection of rechargeable battery**
- **DBL1/DBL2 – Connection of entrance doorbell** (apartment doorbell)
- **GNG1/GNG2 – Connection of distance call doorbell** (GONG)







PARALLEL CONNECTION OF THE ADDITIONAL TERMINALS (See the diagram from point 9)

Inside the residence you can install TL additional terminals (ATM/VTM 3.5"/ VTM 7"/ VTA 7") using the same type of cable, for the same connections (+U, C/D, GND, Vin/Vout). All the terminals in one apartment will have the address of the main terminal. For **Fam.1** the terminals have **address 1** set by the producer. For **Fam. 2, 3** (Fam. 4, 5 or more), program the terminals with addresses 2, 3 (or 4, 5 etc.). See **Step 6.2**.

PARALLEL CONNECTION OF TWO OUTDOOR PANELS (See the diagram from point 10)

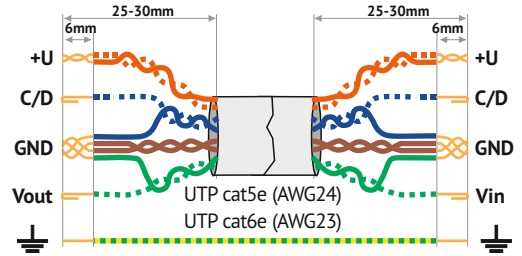
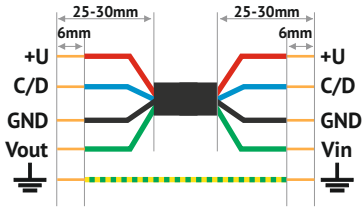
If the building has multiple entrances, you can install **VPA** outdoor panels with their own SCU central supply unit, which will command its own gate. The **VPA1** main outdoor panel keeps **address 1**, set by the manufacturer and only the RFID access cards/tags will be programmed at the **VPA1** (see **Step 5.1**). The **VPA2** additional panel is programmed with **address 2** and with the RFID access cards/tags (see **Step 5.2**).

TROUBLESHOOTING AND SERVICE FOR THE **TL** VIDEO DOOR PHONE SYSTEM

- 1. Normal functioning mode, without BAT**: the  (Network) and +U LEDs are Green. The **PROG** and **BAT** LEDs are turned off.
- 2. Normal functioning mode, with BAT connected**: the  (Network), **BAT** and +U LEDs are Green.
- 3. The system functions only on battery** (the system functions correctly until the full discharge of the battery): the **BAT** LED is Green, the  (Network) and +U LEDs are turned off. Check the fuses on the **SCU** (FUSE T-1, 6A) and 2x6A from the Network.
- 4. The system functions with a broken battery**. The , +U LEDs are Green, the **BAT** LED is turned off. Change the battery!!!
- 5. The outdoor panel does not function** (the Red LED from the video camera does not blink, the call keys are not backlighted): The , **BAT** and +U LEDs are Green. The outdoor panel LED from the **SCU** is Red. Check the continuity and the accuracy of the +U and GND connections from the **SCU** to the panel.
- 6. A terminal does not function** (the keys are not backlighted when touched, there is no image and sound): the , **BAT** and +U LEDs are Green. One of the **OUT1**, **OUT2** or **OUT3** LEDs is Red. Check the continuity and accuracy of the +U or **GND** connections from the **SCU** to the terminal.
- 7. The direct current lock does not function (LC1, LC2)**, the LED is Red: check the accuracy of the connections to the lock.
- 8. The display of the terminal is Blue or Black** (it functions during audio call): check the continuity of the **Vin**, **Vout** and **GND** connections from the outdoor panel to the video terminal. If the connections are good, change the terminal.
- 9. The terminal cannot be called: a)** (Terminal 2 or 3 has an incorrect address. The terminal at Family 1 is called!) Reprogram terminals 2 or 3 with the correct address (the apartment number) according to **Step 6.2**.
b) If the **PROG** LED from the **SCU** is Red, check the continuity and the accuracy of the **C/D**, **+U** and **GND** connections from the outdoor panel to the video terminal.

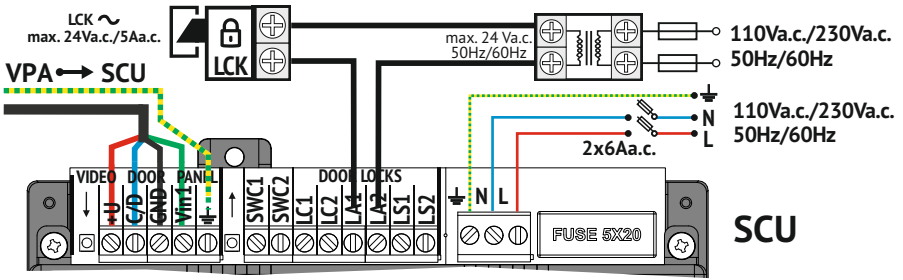
1

- 1) Max. 75 ml → 4 x 0.5 mm² (H03VV-F4G 0.5)
- 2) Max. 150 ml → 4 x 0.75 mm² (H05VV-F4G 0.75)
- 3) Max. 250 ml → UTP cat5e (AWG24)/UTP cat6e (AWG23)

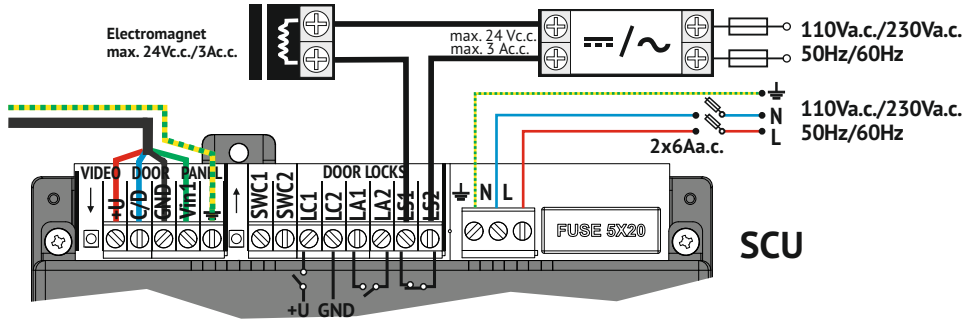


2

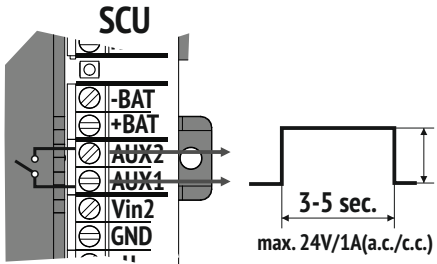
EN



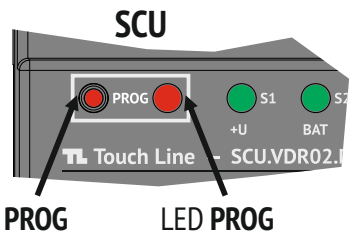
3

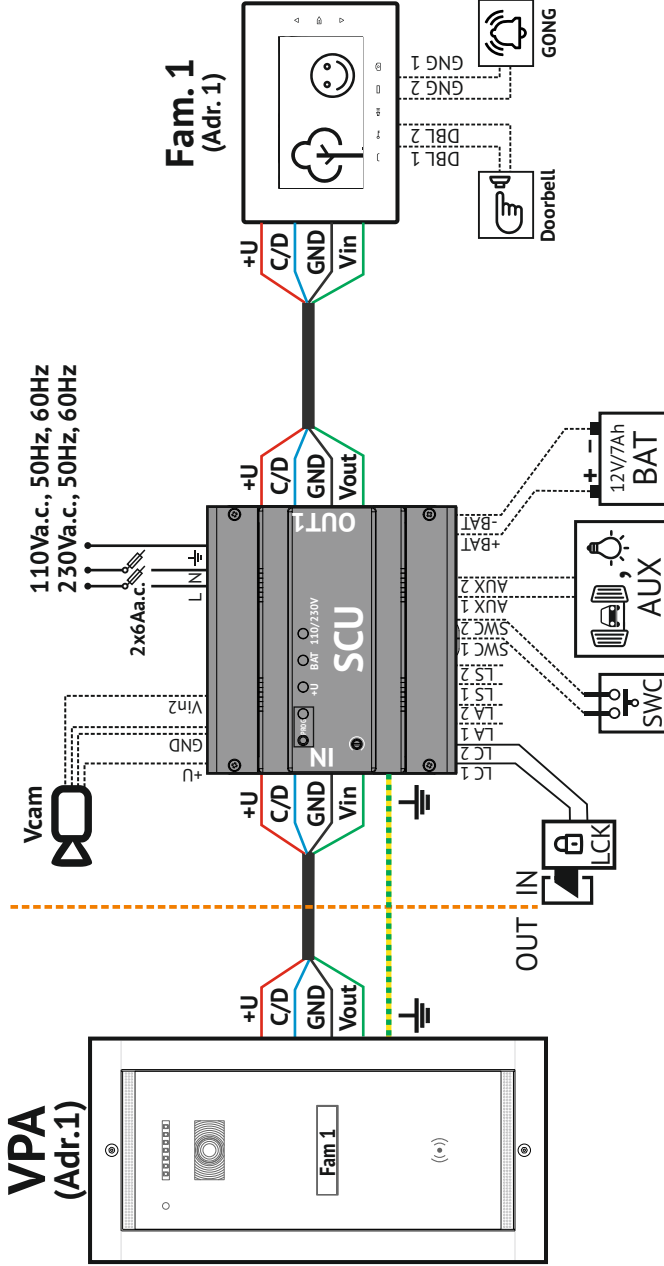


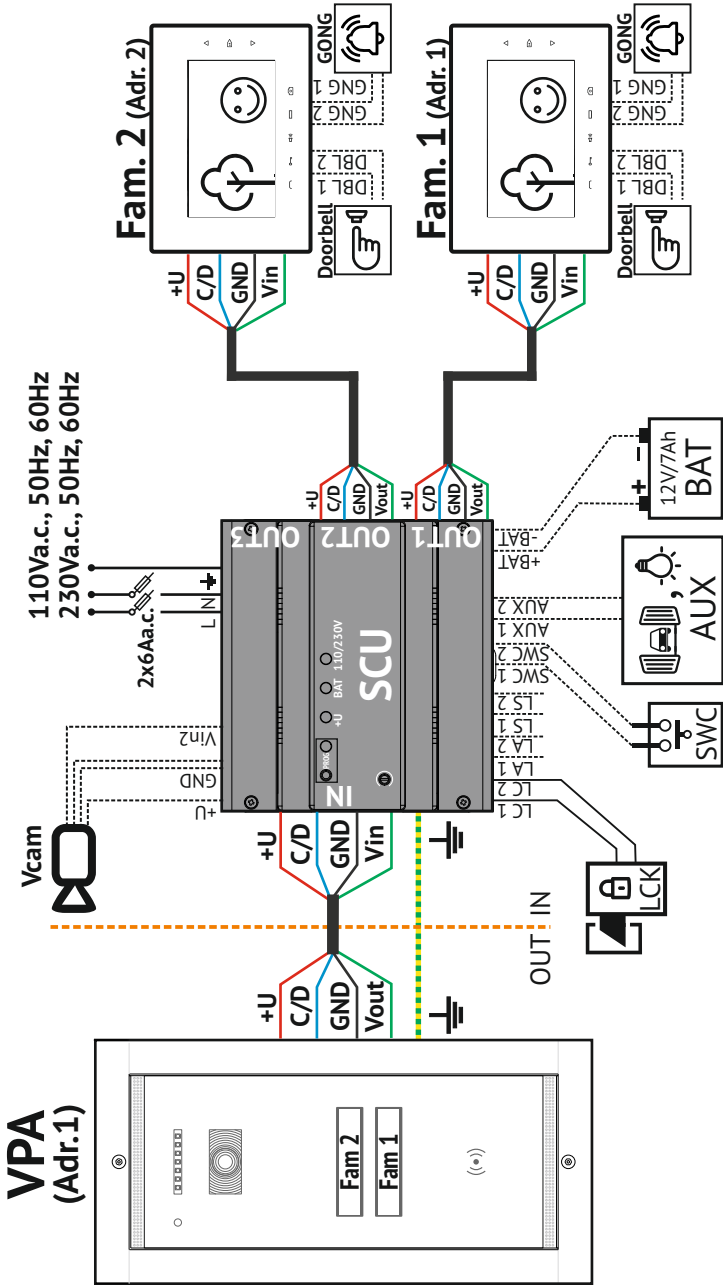
4

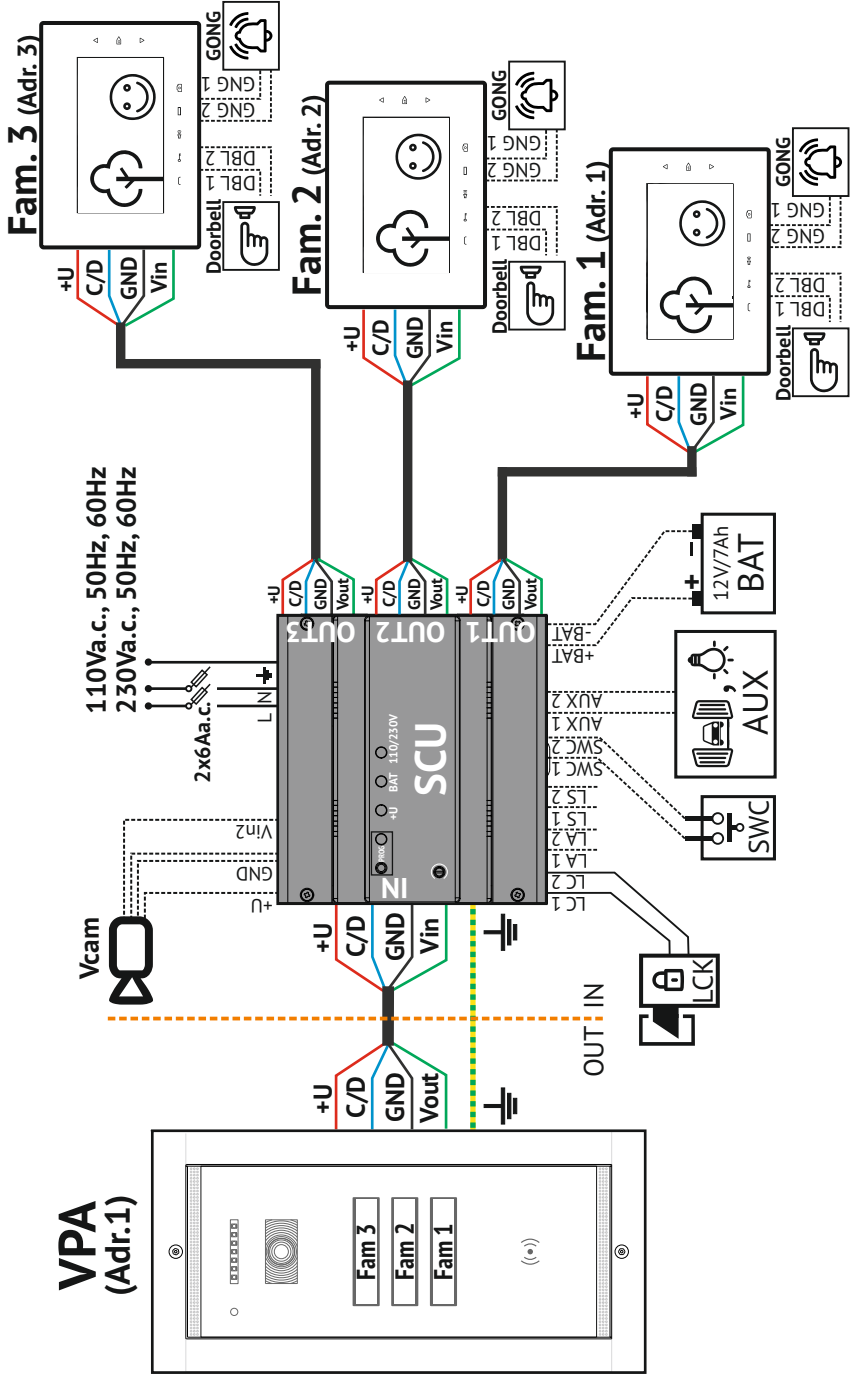


5

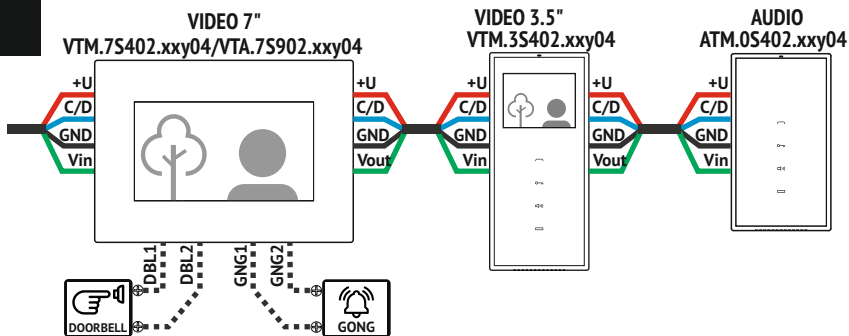








9



10

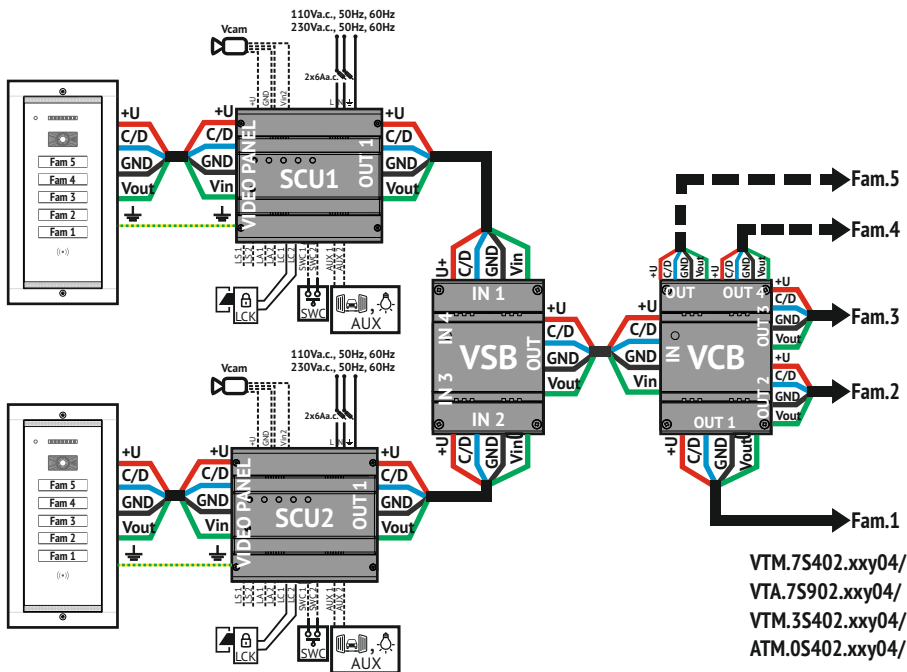
EN



VPA1
(Adr. 1)



VPA2
(Adr. 2)



VTM.7S402.xxy04/
VTA.7S902.xxy04/
VTM.3S402.xxy04/
ATM.0S402.xxy04/

ELECTRA Building Communications GmbH

Bischoffgasse 5/3-4, 1120 Wien - AT

+43 1 810 20 99

support@bellcome.com

www.bellcome.com

The products are CE certified.



Certificate by
REI 709 ICPE

The products are NOM certified.



Certified
by NYCE

The products contain UL-compliant printed circuit boards.



Certificate no. E307311

ELECTRA s.r.l

Bd. Chimiei nr.8, Iași - 700291 - RO

www.electra.ro

The products are manufactured under Quality and Environment Management System

ISO 9001:2008
ISO 14001:2009

Certificates no. 73 100 4856, 73 104 4856
by TÜV HESSEN

BELLCOME is a trademark of ELECTRA Group - No. 013502646 EUIPO - Alicante, Spain
BELLCOME is a trademark of ELECTRA Group - No. 1732510 MPI - Ciudad de Mexico, Mexico
ELECTRA is a trademark of ELECTRA Group - No. 008958332 EUIPO - Alicante, Spain
BELLCOME/ELECTRA products are registered as Industrial Models at EUIPO - Alicante, Spain

Designed and Manufactured by ELECTRA • Made in EU

11.2017 INS.VK3.BLY04