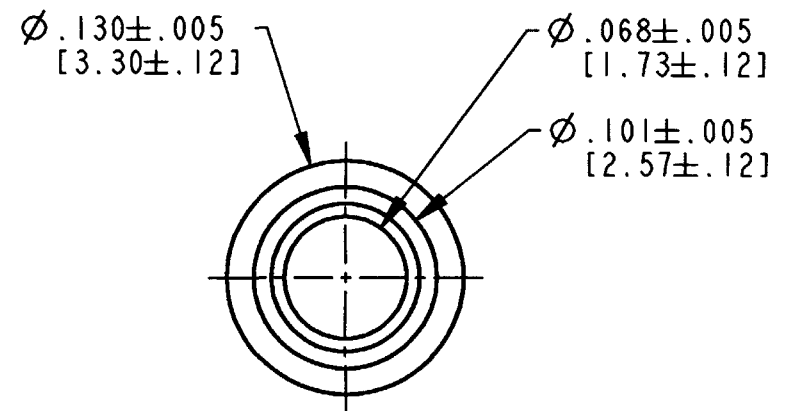
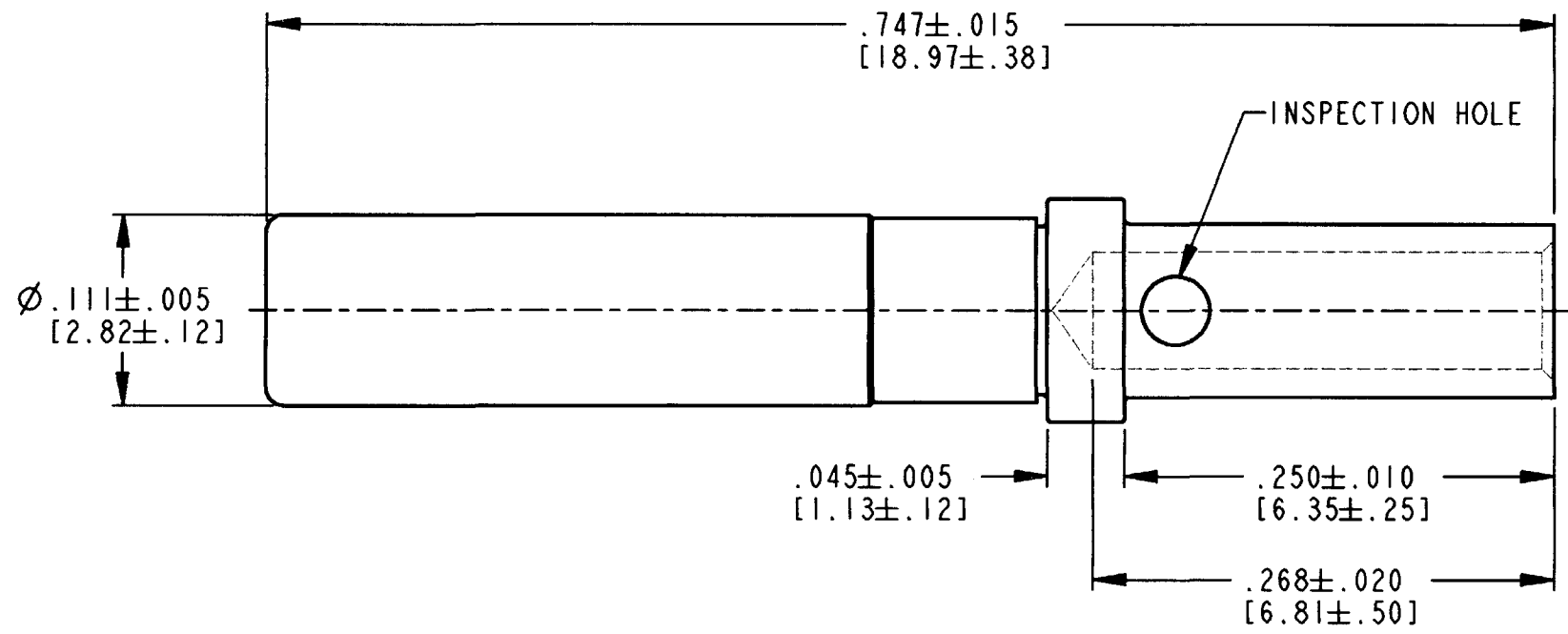


REV
A 0462-201-16**

REVISIONS			
SYM	DESCRIPTION	DATE	APPROVED
NC	NEW RELEASE PER E.O. P15506	12/23/97	RDR
A	REVISED PER E.O. P15996	5-25-99	RDR



- NOTES:
1. DIMENSIONS ARE IN INCHES [mm].
 2. WHEN ** = 31: PLATING IS GOLD OVER NICKEL.
WHEN ** = 141: PLATING IS NICKEL.
 3. FOR CRIMPING INFORMATION SEE DRAWING 0425-205-0000.
 4. FOR CONTACT PERFORMANCE AND APPLICATION CHARACTERISTICS SEE DRAWING 0425-015-0000.

SIGNATURE & DATE	
DR	D. MEYER 12/17/97
CHK	<i>[Signature]</i> MAY-25-99
PE	D. Meyer 4/22/99
APPD	R. Reed 5-25-99
SCALE	10:1 WT

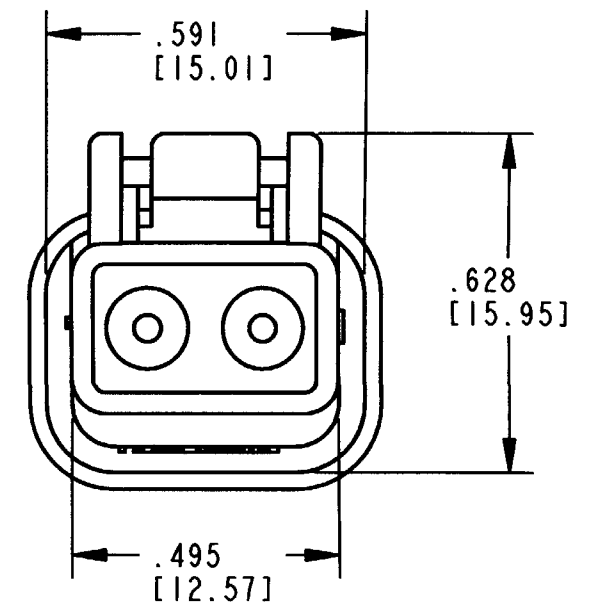
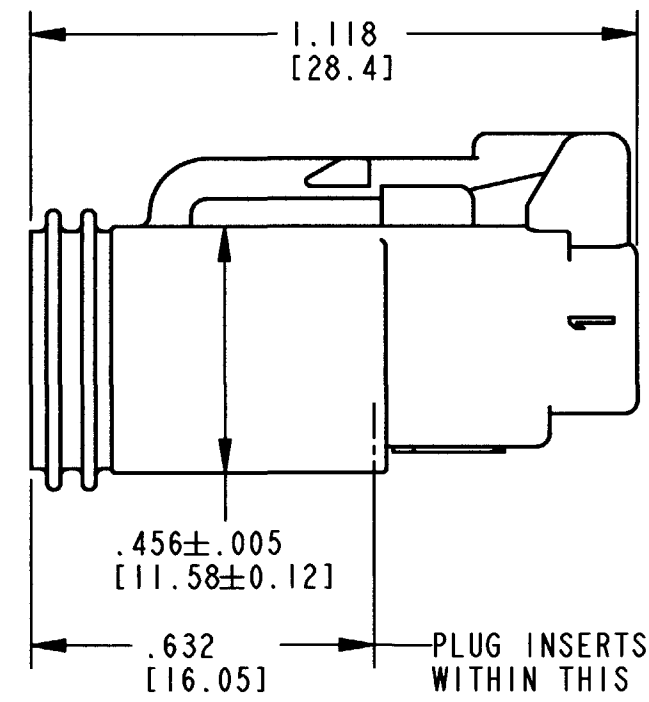
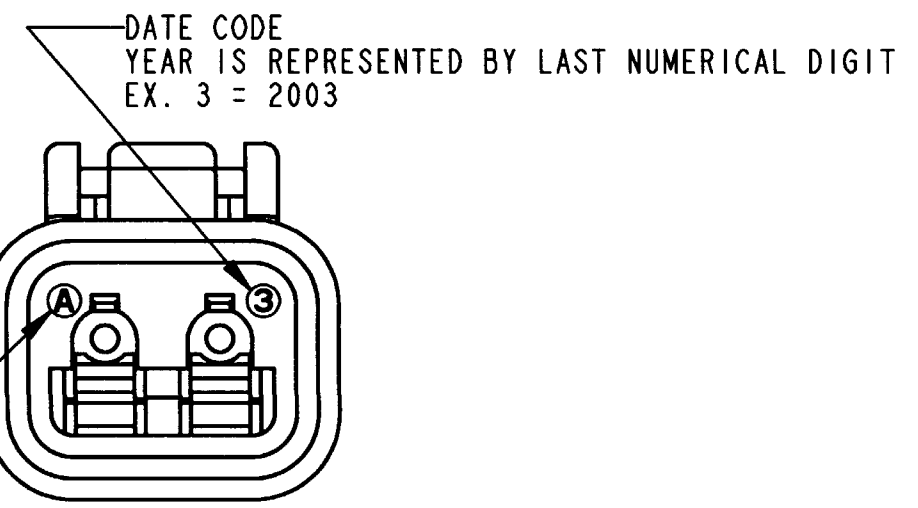
CONTACT SOCKET
SIZE 16

ENVELOPE

CP	MATL. CODE
The Deutch Company DEUTSCH I.P.D. 3850 INDUSTRIAL AVE. HEMET, CALIF. 92545	
B	0462-201-16**
DWG SIZE	CODE 11139 SHEET 1 OF 1

REV
C DT06-2S

REVISIONS			
SYM	DESCRIPTION	DATE	APPROVED
NC	NEW RELEASE PER E.O. A09135	3/8/89	J. A.
A	REVISED PER E.O. A09335	9/6/90	J. A.
B	REVISED PER E.O. P15019	4/4/96	R. D. R.
C	REVISED PER E.O. P18199	6-30-03	<i>MDR</i>



- 5. MATERIAL: SHELL: PLASTIC; COLOR: GRAY
SEAL: RUBBER
- 4. THIS PLUG MATES WITH THE DT04-2P-**** RECEPTACLE.
(**** = ALL MODIFICATIONS) CONSULT FACTORY FOR MODIFICATIONS.

3. FOR CONTACTS AND WIRE PERFORMANCE AND CHARACTERISTICS, SEE ENVELOPE DRAWINGS 0425-015-0000 AND 0425-017-0000.

2. ALL DIMENSIONS ARE ±.025[.64] UNLESS OTHERWISE SPECIFIED.

NOTES: 1. ALL DIMENSIONS ARE INCHES [MILLIMETERS].

CONTACT SIZE	MIN. INSUL. O.D.	MAX. INSUL. O.D.	WIRE RANGE [mm ²] REF ONLY ³
16	.088 [2.24]	.145 [3.68]	14-20 AWG [2.0-0.5]

SIGNATURE & DATE	
DR	X. SANCHEZ 09 JUN 03
CHK	<i>W. Kolinski</i> 6/27/03
PE	<i>Steph. Johann</i> 6/18/03
APPD	<i>S. Bond</i> 6-18-03
SCALE	NONE WT _____

**2 WAY PLUG
D.T. SERIES**

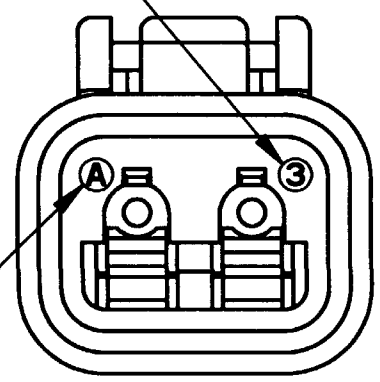
ENVELOPE

CP	MATL. CODE
The Deutsch Company DEUTSCH I.P.D. 3850 INDUSTRIAL AVE. HEMET, CALIF. 92545	
B	DT06-2S
DWG SIZE	CODE 11139 SHEET OF

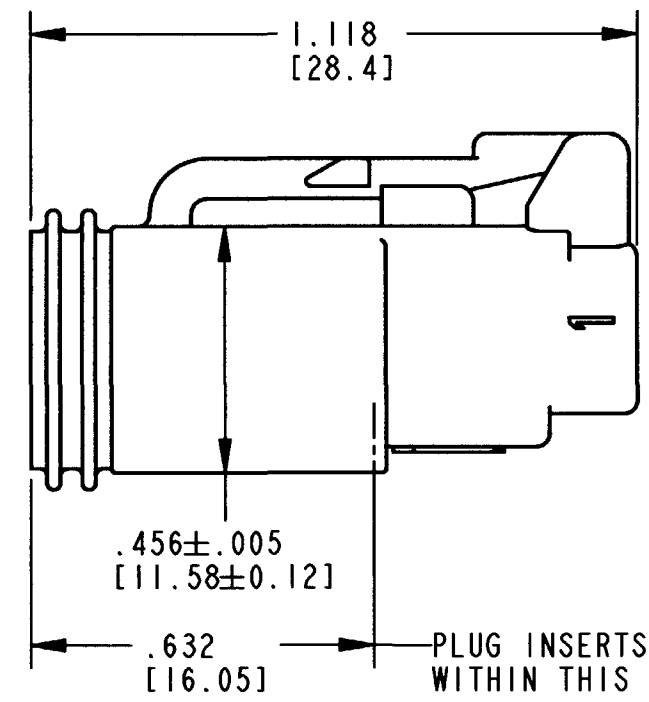
REV
C DT06-2S

REVISIONS			
SYM	DESCRIPTION	DATE	APPROVED
NC	NEW RELEASE PER E.O. A09135	3/8/89	J. A.
A	REVISED PER E.O. A09335	9/6/90	J. A.
B	REVISED PER E.O. P15019	4/4/96	R. D. R.
C	REVISED PER E.O. P18199	6-30-03	<i>MDR</i>

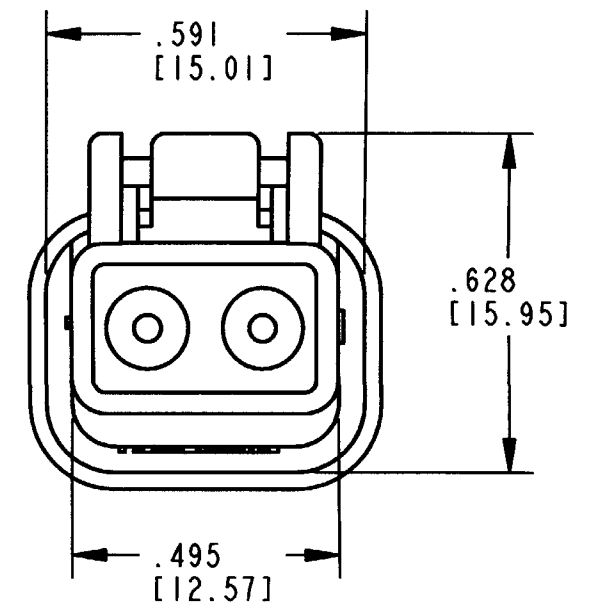
DATE CODE
YEAR IS REPRESENTED BY LAST NUMERICAL DIGIT
EX. 3 = 2003



DATE CODE
MONTH REPRESENTED BY SEQUENTIAL ALPHA CHARACTERS.
EX. A = JANUARY



PLUG INSERTS INTO RECEPT.
WITHIN THIS DISTANCE.



- 5. MATERIAL: SHELL: PLASTIC; COLOR: GRAY
SEAL: RUBBER
- 4. THIS PLUG MATES WITH THE DT04-2P-**** RECEPTACLE.
(**** = ALL MODIFICATIONS) CONSULT FACTORY FOR MODIFICATIONS.

3. FOR CONTACTS AND WIRE PERFORMANCE AND CHARACTERISTICS,
SEE ENVELOPE DRAWINGS 0425-015-0000 AND 0425-017-0000.

2. ALL DIMENSIONS ARE ±.025[.64] UNLESS OTHERWISE SPECIFIED.

NOTES: 1. ALL DIMENSIONS ARE INCHES [MILLIMETERS].

CONTACT SIZE	MIN. INSUL. O.D.	MAX. INSUL. O.D.	WIRE RANGE [mm ²] REF ONLY ³
16	.088 [2.24]	.145 [3.68]	14-20 AWG [2.0-0.5]

SIGNATURE & DATE	
DR	X. SANCHEZ 09 JUN 03
CHK	<i>W. Kolinski</i> 6/27/03
PE	<i>Steph. Johann</i> 6/18/03
APPD	<i>S. Bond</i> 6-18-03
SCALE	NONE WT _____

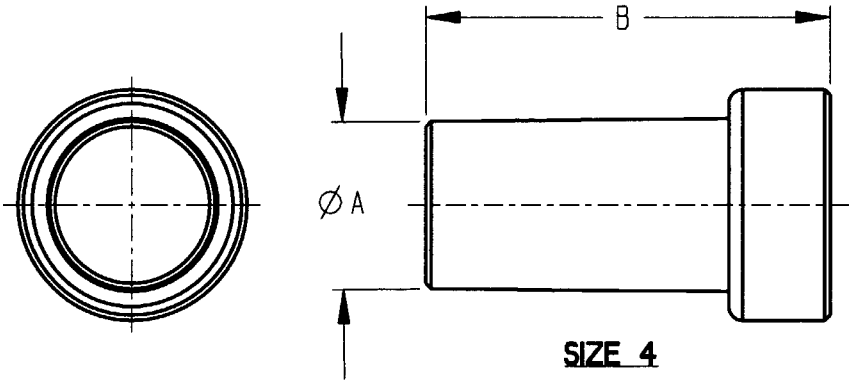
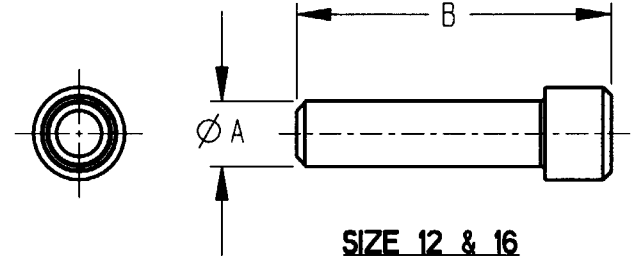
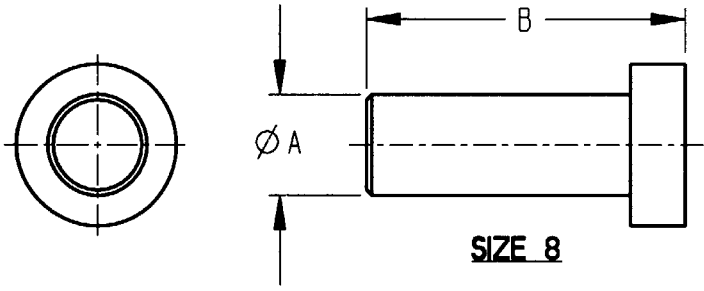
2 WAY PLUG
D.T. SERIES

ENVELOPE

CP	MATL. CODE
The Deutsch Company DEUTSCH I.P.D. 3850 INDUSTRIAL AVE. HEMET, CALIF. 92545	
B	DT06-2S
DWG SIZE	CODE 11139 SHEET OF

REV
E 114017 THRU
114019

REVISIONS			
SYM	DESCRIPTION	DATE	APPROVED
B	REVISED PER E.O. 84745		C.M.
C	REVISED PER E.O. A4622	5/2/86	J.A.
D	REVISED/REDRAWN PER E.O. P18810	1/14/05	R.D.R.
E	REVISED PER E.O. P19890	6-16-08	RDR



PART NO.	CONTACT SIZE	A ±.010 [±.25]	B ±.030 [±.76]
114017	12 & 16	.121 [3.07]	.575 [14.61]
114018	8	.187 [4.75]	.590 [14.99]
114019	4	.312 [7.92]	.750 [19.05]

2. MATERIAL: SIZES 16, 12, & 8 - CELANEX
SIZE 4 - RUBBER


1. DIMENSIONS ARE IN INCHES [MILLIMETERS].

NOTES:

SIGNATURE & DATE	
DR	R. MESSENGER 12 JAN 05
CHK	<i>[Signature]</i> 6/13/08
PE	<i>[Signature]</i> 5/7/08
APPD	<i>[Signature]</i> 6-4-08
SCALE	3:1
WT	_____

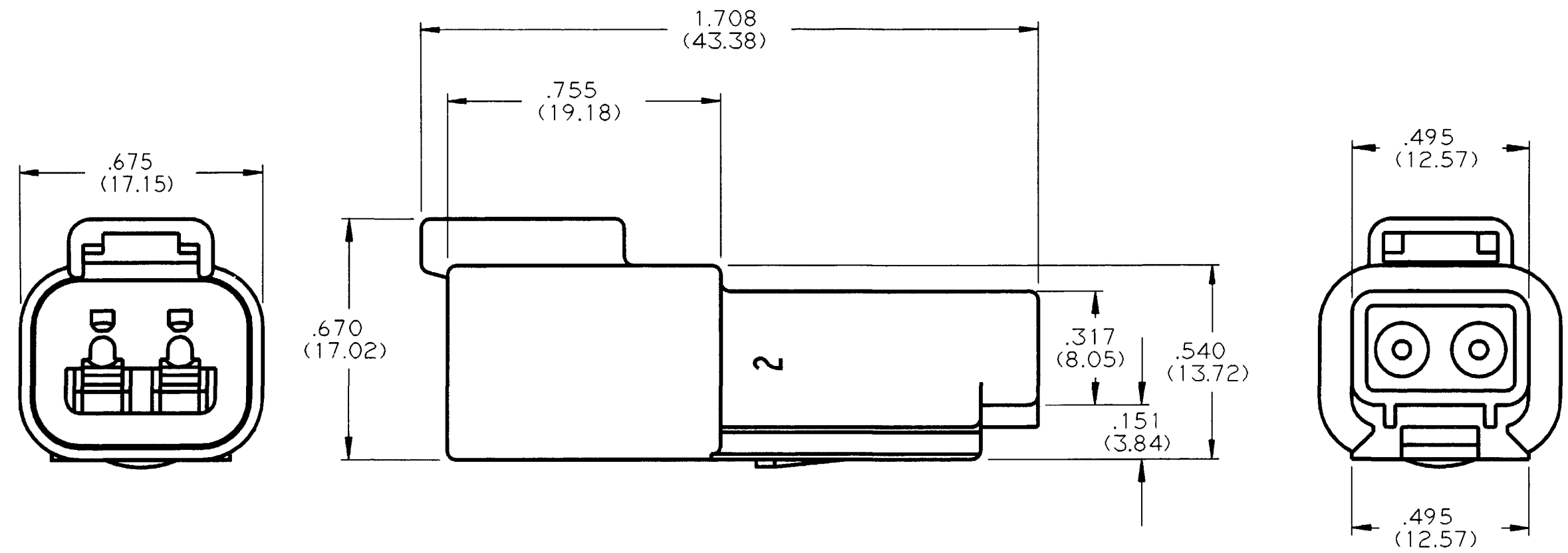
**PLUG, SEALING
INDUSTRIAL CONNECTOR
SIZES 16, 12, 8, & 4**

ENVELOPE

EP	MATL. CODE
 3850 INDUSTRIAL AVE. HEMET, CA 92545 DEUTSCH INDUSTRIAL	
114017 THRU 114019	
A DWG SIZE	CODE 11139 SHEET OF

REV
C DT04-2P

REVISIONS			
SYM	DESCRIPTION	DATE	APPROVED
NC	NEW RELEASE PER E.O. A09197	4/28/89	J.A.
A	REVISED PER E.O. A09335	9/6/90	J.A.
B	REVISED PER E.O. A13781	3/19/92	J.A.
C	REVISED PER E.O. P15019	4-4-96	RBR



- NOTES:
1. ALL DIMENSIONS ARE IN INCHES (METRIC).
 2. ALL DIMENSIONS ARE ± 0.025 (0.63) UNLESS OTHERWISE SPECIFIED.
 3. CONSULT FACTORY FOR CONTACT SPECIFICATION AND APPLICATION.
 4. FOR MORE INFO SEE ENVELOPE DWG. 0425-017-0000 AND 0425-015-0000.

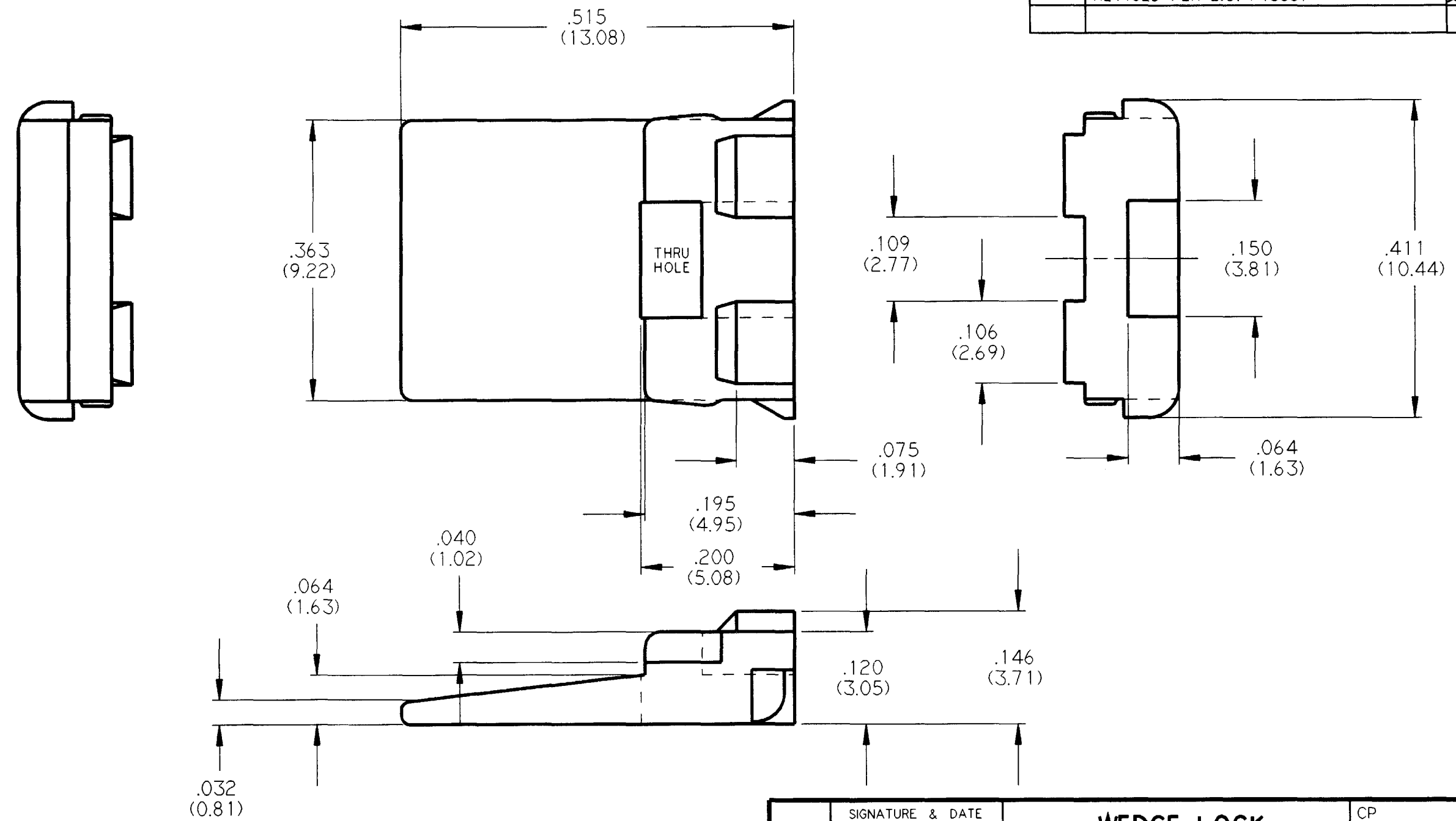
SIGNATURE & DATE	
DR	C. WOODRUFF 12 JUL 90
CHK	
PE	<i>Madeline Thomas</i> FEB-14-96
APPD	<i>R. R. [Signature]</i> 4-4-96
SCALE	NONE WT _____

2 WAY RECEPTACLE
D.T. SERIES

ENVELOPE

CP	MATL. CODE
The Deutch Company DEUTSCH I.P.D. 37140 INDUSTRIAL AVE. HEMET, CALIF. 92343	
B	DT04-2P
DWG SIZE	CODE 11139 SHEET 1 OF 1

REV	W2P	REVISIONS			
B		SYM	DESCRIPTION	DATE	APPROVED
		NC	NEW RELEASE PER E.O. A09191	08/17/89	J.A.
		A	REVISED & REDRAWN PER E.O. A13667	08/16/93	J.A.
		B	REVISED PER E.O. P15887	2-15-99	<i>RL</i>



- NOTES:
1. DIMENSIONS ARE IN INCHES.
 2. ALL DIMENSIONS +/- .025 (.63) UNLESS OTHERWISE SPECIFIED.
 3. COLOR OF MATERIAL: GREEN.
 4. MATES WITH DT04-2P-****.

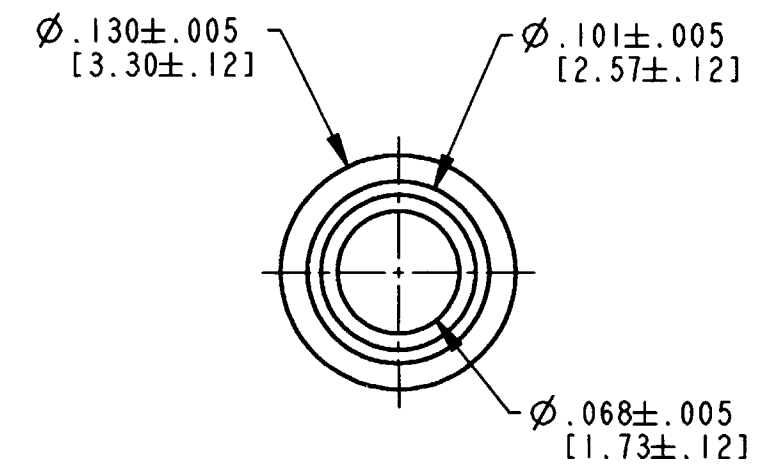
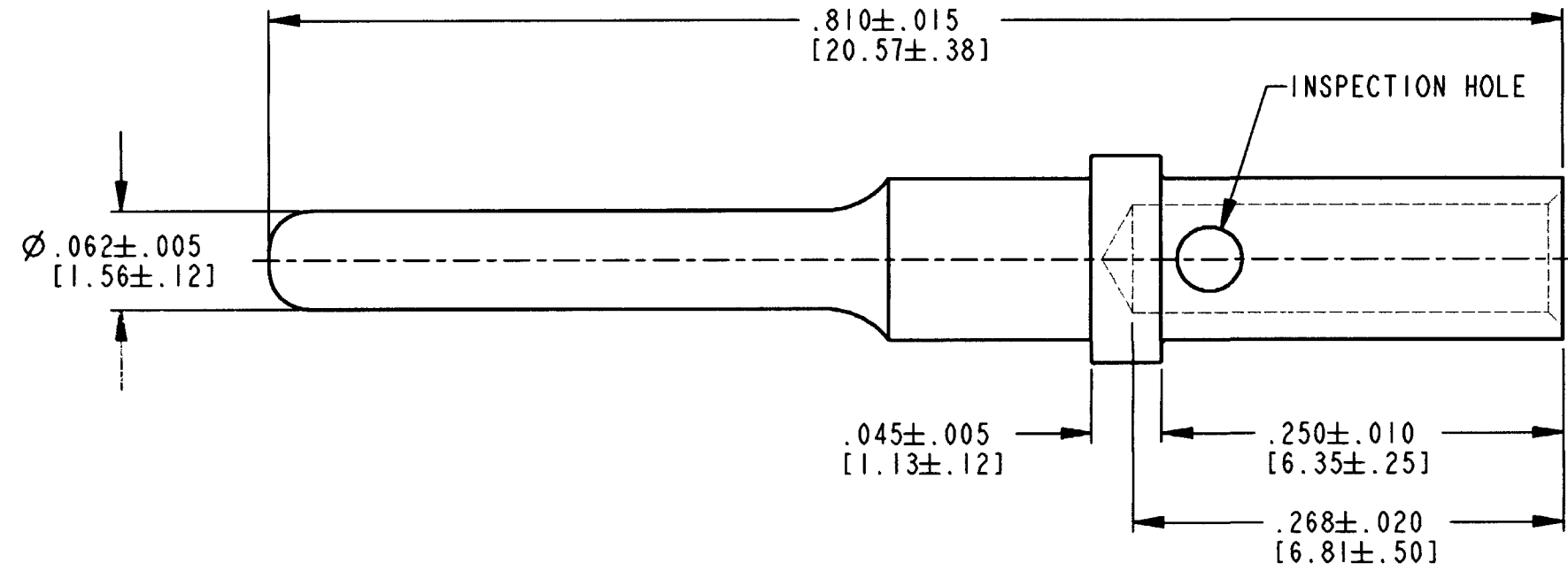
SIGNATURE & DATE	
DR	J. NORRIS 13AUG93
CHK	<i>J. Norris</i> 2-8-99
PE	<i>J. Norris</i> 2-8-99
APPD	<i>R. Reed</i> 2-15-99
SCALE	NONE WT

**WEDGE LOCK
FOR
2 PIN RECPT.
HOUSING
DT SERIES
ENVELOPE**

CP	MATL CODE
The Deutsch Company DEUTSCH I.P.D. 37140 INDUSTRIAL AVE. HEMET, CALIF. 92343	
B	W2P
DWG SIZE	CODE 11139 SHEET 1 OF 1

REV
B 0460-202-16 **

REVISIONS			
SYM	DESCRIPTION	DATE	APPROVED
NC	NEW RELEASE PER E.O. A8005	8/11/88	JA
A	REVISED PER E.O. P15174	12/3/96	RDR
B	REVISED PER E.O. P15996	5-25-99	RDR



4. FOR CONTACT PERFORMANCE AND APPLICATION CHARACTERISTICS SEE DRAWING 0425-015-0000.
3. WHEN ** = 31: PLATING IS GOLD OVER NICKEL.
WHEN ** = 141: PLATING IS NICKEL.
2. DIMENSIONS ARE IN INCHES [mm].
1. FOR CRIMPING INFORMATION SEE DRAWING 0425-205-0000.

NOTES:

SIGNATURE & DATE	
DR	D. MEYER 12/18/97
CHK	<i>William Jones</i> MAY-25-99
PE	<i>D Meyer</i> 5/25/99
APPD	<i>R. Reed</i> 5-25-99
SCALE	15:1 WT

CONTACT PIN
SIZE 16

ENVELOPE

CP	NATL. CODE
The Deutch Company DEUTSCH I.P.D. 3850 INDUSTRIAL AVE. HEMET, CALIF. 92545	
B 0460-202-16 **	
DWG SIZE	CODE 11139 SHEET OF