

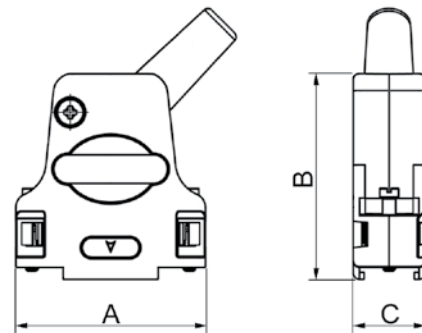
## TECHNICAL SPECIFICATIONS

**D-Sub Hood:**

Material:	Zinc, Nickel Plated
Operating Temperature:	-45°C to + 105°C
Cable Entry:	Side Entry
Thumbscrews:	UNC 4-40 (Standard)
Cable O.D.:	9-Way: Up to 9,5mm 15-Way: Up to 9,5mm 25-Way: Up to 9,5mm 37-Way: Up to 12mm

**D-Sub Crimp:**

Insulator:	PBT, Black, UL94 V-0
Shell:	Stamped Steel, Tin Plated
Contact pins:	Copper Alloy
Machined pins Class 2:	200 inserts min
Contacts Plating:	Hard Gold over Nickel
Operating Temperature:	-55°C to +125°C
Test voltage:	1000V
Insulator resistance:	<5GΩ
Crimp Area (AWG):	AWG 24-20 0.2 - 0.6mm <sup>2</sup>



D-Sub-Hood

**Features:**

- Available in sizes 9-15-25-37
- Excellent EMI Shielding
- Re-openable
- Spring-Clip mounted Jackscrews

Size DTZF	Dim A	Dim B	Dim C
9-way	31,6	39,5	15,2
15-way	40,0	41,0	15,2
25-way	53,7	47,5	15,2
37-way	70,2	48,0	15,2

**Ordering information:****D-Sub Connector Kits (100 inserts min.)**

Size:	P/N - Kitted:	Product Code - MALE Conn. Kit
9-way	6355-0049-01	D45ZF09-DBCP-K
15-way	6355-0049-02	D45ZF15-DBCP-K
25-way	6355-0049-03	D45ZF25-DBCP-K
37-way	6355-0049-04	D45ZF37-DBCP-K

Size:	P/N - Kitted:	Product Code - FEMALE Conn. Kit
9-way	6355-0049-11	D45ZF09-DBCS-K
15-way	6355-0049-12	D45ZF15-DBCS-K
25-way	6355-0049-13	D45ZF25-DBCS-K
37-way	6355-0049-14	D45ZF37-DBCS-K

