

TECHNICAL SPECIFICATIONS

Material: Zinc, Nickel Plated
 Operating Temperature: -45°C to + 105°C
 Cable Entry: Side Entry
 Thumbscrews: UNC 4-40 (Standard)

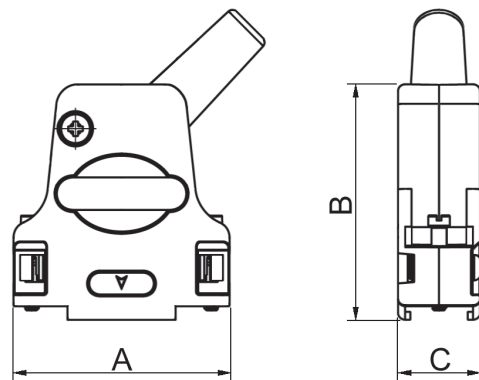
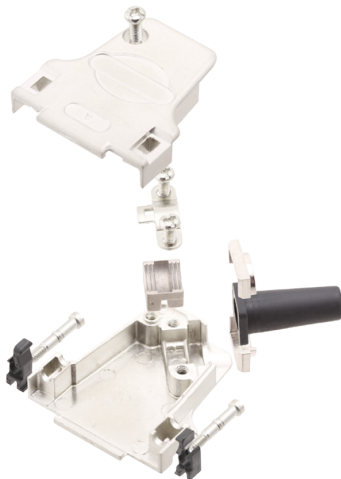
Cable O.D - Standard:

9-Way: Up to 6,5mm with grommet - 9,5mm without grommet
 15-Way: Up to 6,5mm with grommet - 12,5mm without grommet
 25-Way: Up to 8.0mm with grommet - 12,5mm without grommet
 37-Way: Up to 9.0mm with grommet - 15,0mm without grommet



Features:

- Available in sizes 9-15-25-37
- Excellent EMI Shielding
- Re-openable
- Spring-Clip mounted Jackscrews
- Available without rubber grommet on request



Size D45ZF	Dim A	Dim B	Dim C
9-way	31,6	39,5	15,2
15-way	40,0	41,0	15,2
25-way	53,7	47,5	15,2
37-way	70,2	48,0	15,2

Ordering information - Standard Grommet Size:

Size:	P/N - Kitted:	Product Code:
9-way	7960-0206-11	D45ZF09-RG-K
15-way	7960-0206-12	D45ZF15-RG-K
25-way	7960-0206-13	D45ZF25-RG-K
37-way	7960-0206-14	D45ZF37-RG-K

