

D-Sub Plastic Hood, with variable cable entry

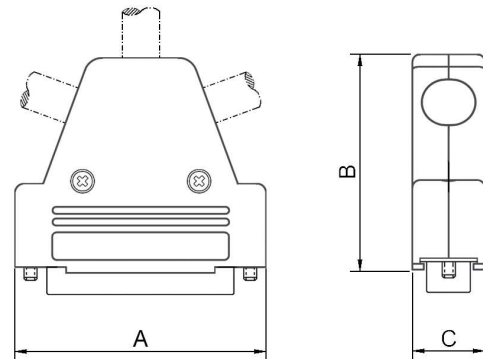
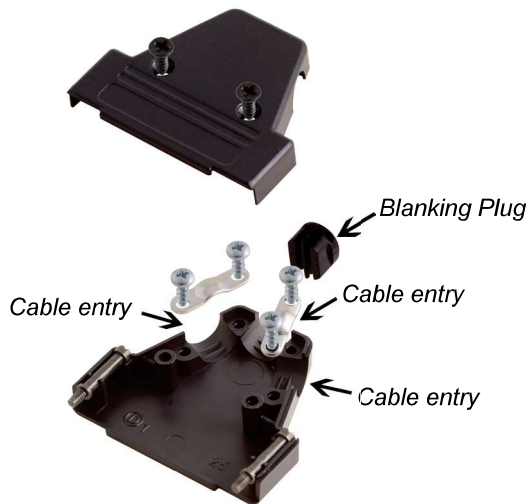
TECHNICAL SPECIFICATIONS

Material: UL 94 V-0 Plastic Material
 Operating Temperature: -55°C to +110°C
 Cable Entry: Side / Top / Side
 Thumbscrews: UNC 4-40 (Standard)
 M2,5 or M3 on request
 Cable O.D.: 9-way Up to 6,0mm
 15-way Up to 9,0mm
 25-way Up to 10,5mm
 37-way Up to 10,5mm
 Colour: Black



Features:

- Available in sizes 9-15-25-37
- All sizes feature 3-Way Entry solution
- Re-openable
- Supplied with 2 Blanking Plates and 2 Strain Relief clamps.
- Extra accessories are available on request.
- Also available in metalized version



Size TRI-P	Dim A	Dim B	Dim C
9-way	31,0	45,2	15,0
15-way	40,3	45,2	15,0
25-way	53,5	45,2	15,0
37-way	70,0	45,2	15,0

Ordering information:

Size:	P/N - Kitted:	Product Code:
9-way	6550-0101-01	TRI-P-09-K
15-way	6550-0101-02	TRI-P-15-K
25-way	6550-0101-03	TRI-P-25-K
37-way	6550-0101-04	TRI-P-37-K