

D-Sub Full Metal Cover, 90° Side Entry, Black Grommet Set

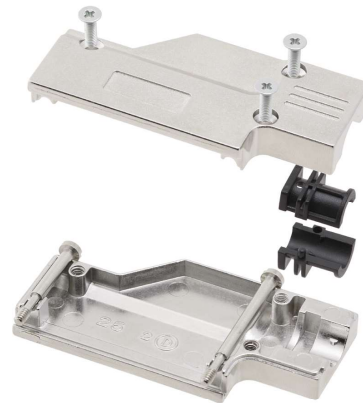
TECHNICAL SPECIFICATIONS

Material: Zinc, Nickel Plated
 Operating Temperature: -40°C to +120°C
 Cable Entry: 90° Side Entry
 Jackscrews: UNC 4-40, M3 on request
 Cable O.D: Up to 11,7mm
 Type of grommets: 2 piece Plastic Ferrule Kit

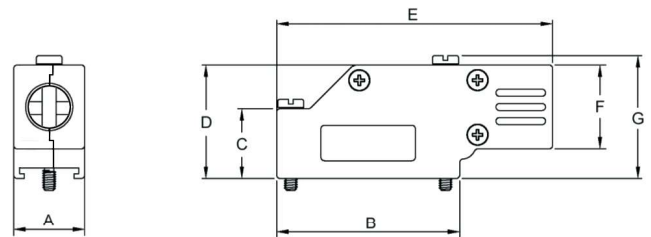
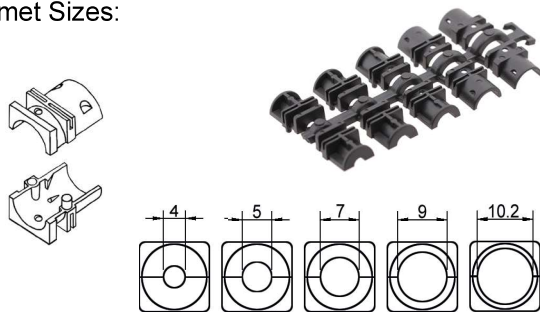


Features:

- Available in sizes 9-15-25-37-way
- Suitable for any common Sub-D connector
- Re-Openable
- Also available with Metalized Grommet Set (DCMR-HI)



Grommet Sizes:



Size	A	B	C	D	E	F	G
9	15,0	31,0	15,0	24,0	51,0	18,0	26,5
15	15,3	39,2	15,0	24,0	59,0	18,0	26,5
25	16,0	54,0	23,0	34,5	73,0	24,5	37,0
37	16,0	70,5	23,0	34,5	89,5	24,5	37,0

Ordering information:

Size:	P/N - Kitted:	Product Code:
9-way	6560-0501-01	DCMR09-FK-K
15-way	6560-0501-02	DCMR15-FK-K
25-way	6560-0501-03	DCMR25-FK-K
37-way	6560-0501-04	DCMR37-FK-K

Size:	P/N - BULK:	Product Code:
9-way	6561-0501-01	DCMR09-FK
15-way	6561-0501-02	DCMR15-FK
25-way	6561-0501-03	DCMR25-FK
37-way	6561-0501-04	DCMR37-FK



Encitech AB
 Rörkullsvägen 4
 SE-302 41 HALMSTAD, Sweden

Tel.: +46-(0)35-15 13 90
 Fax: +46-(0)35-15 13 99

www.encitech.com